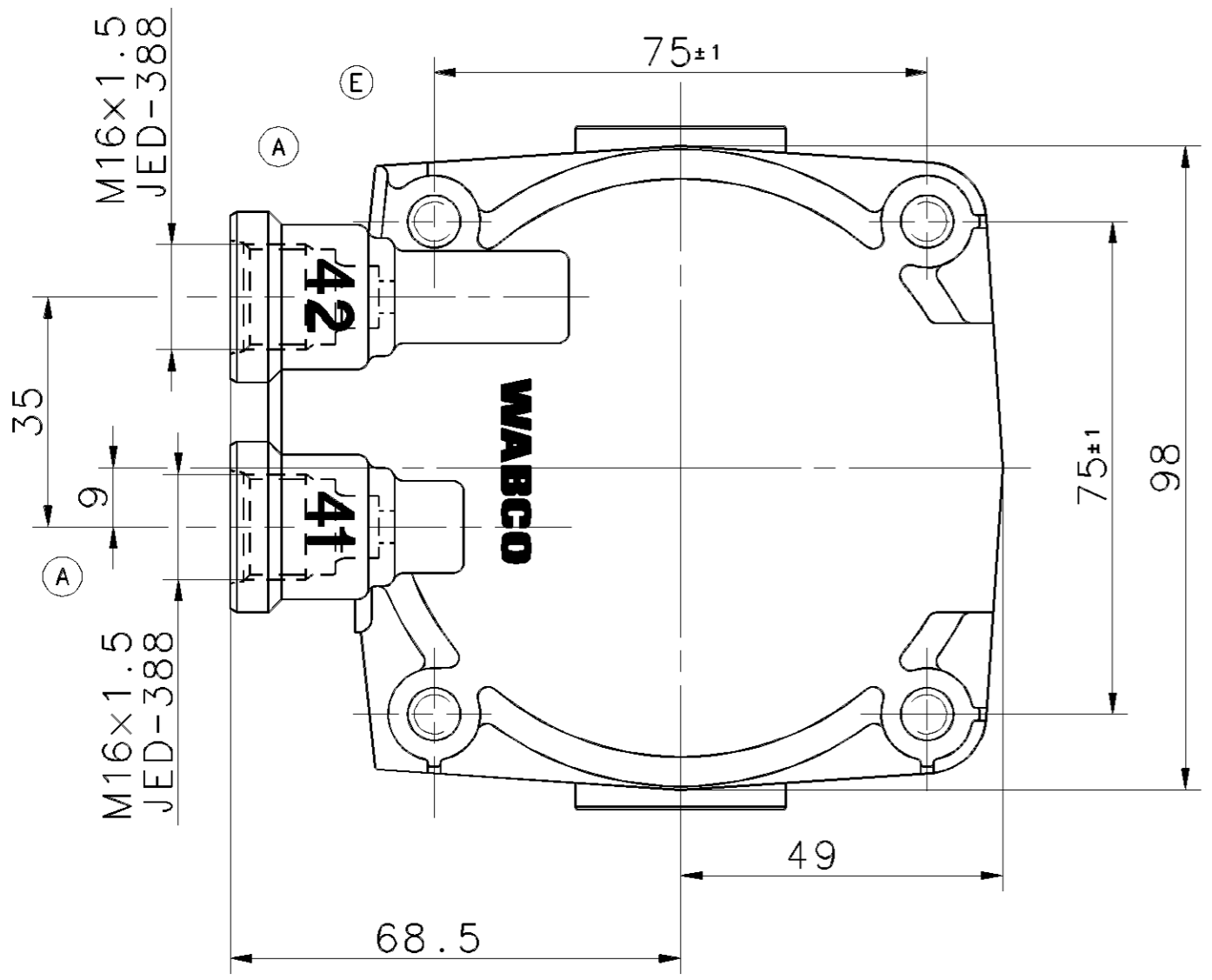
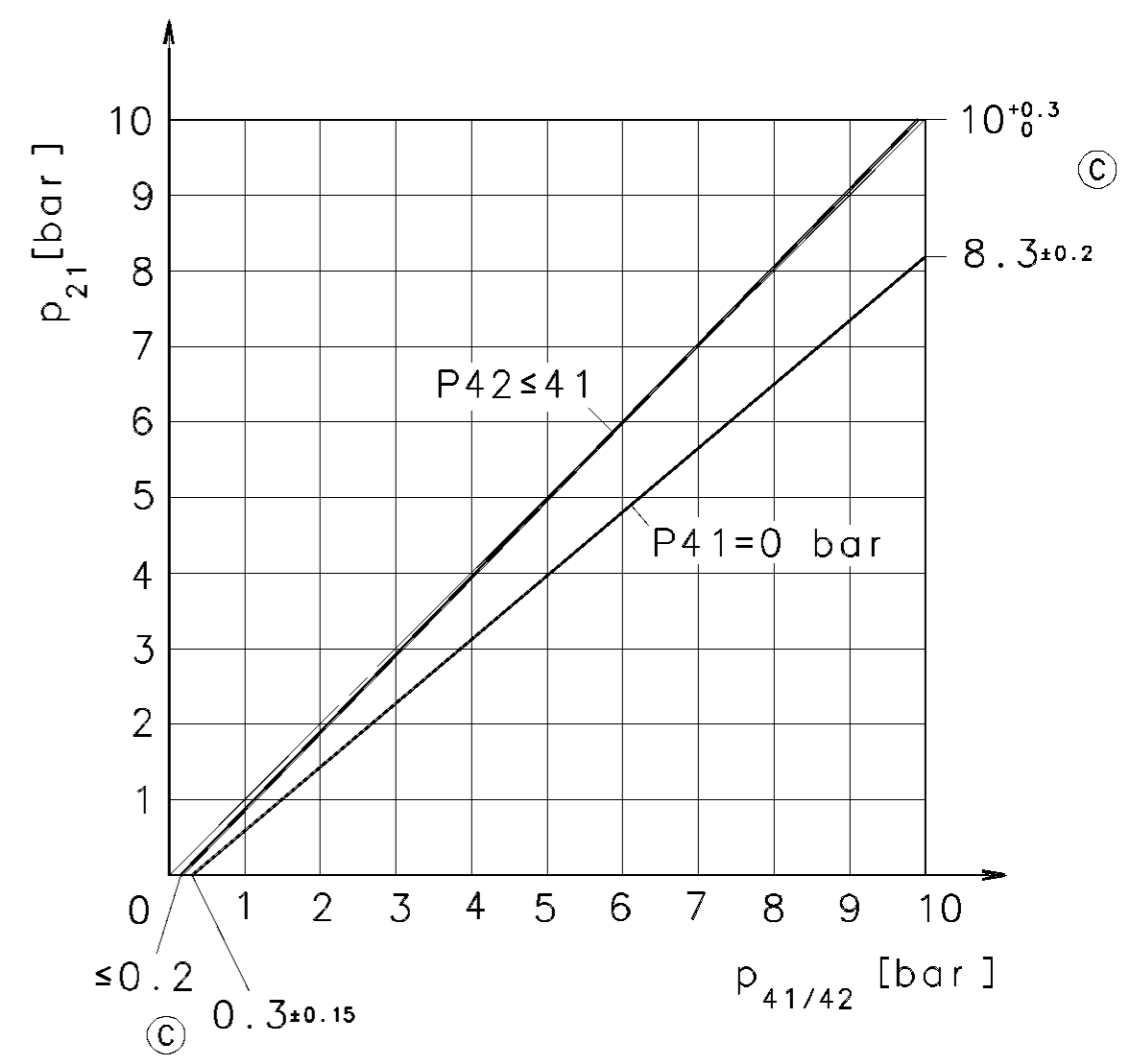
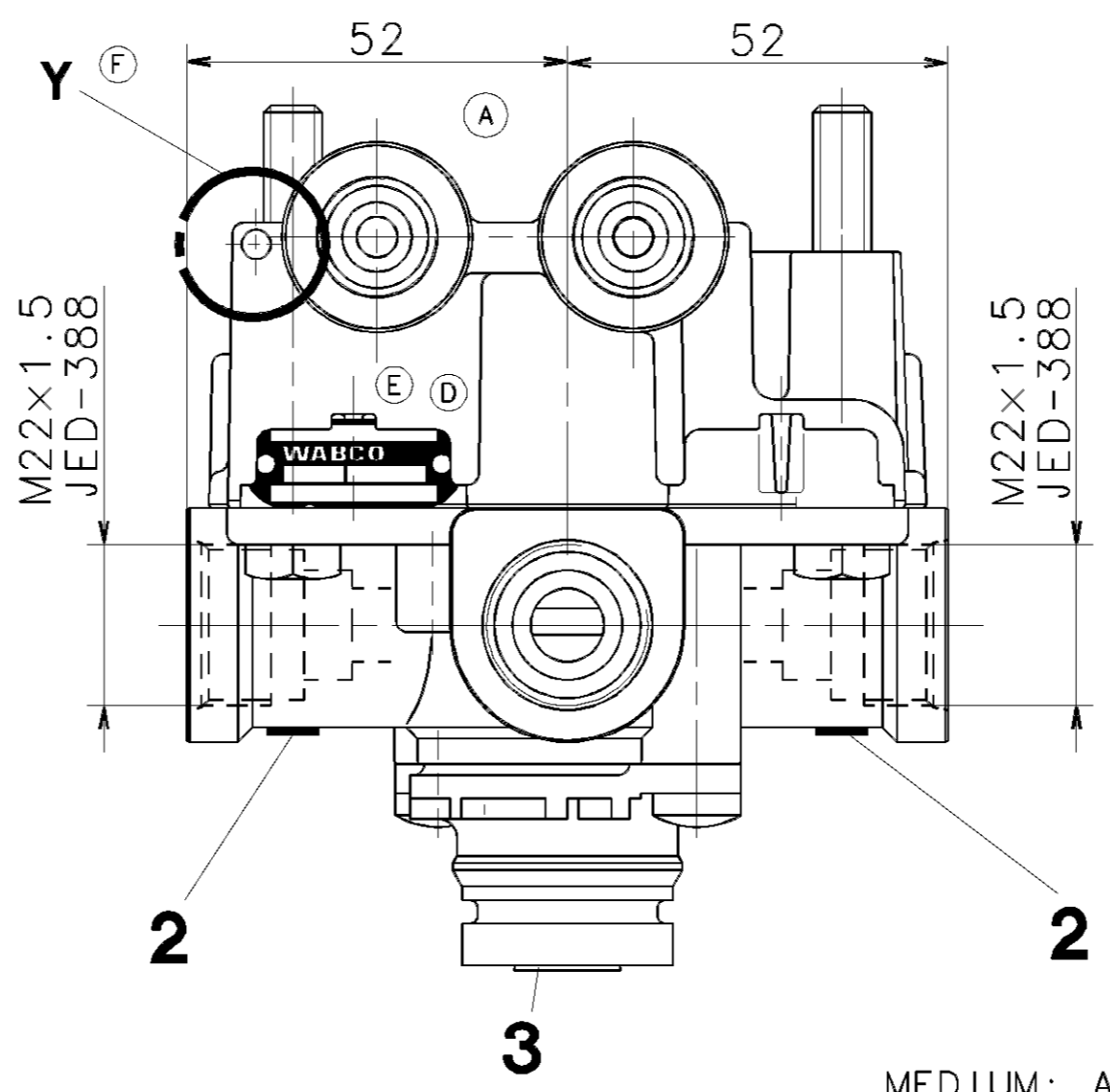
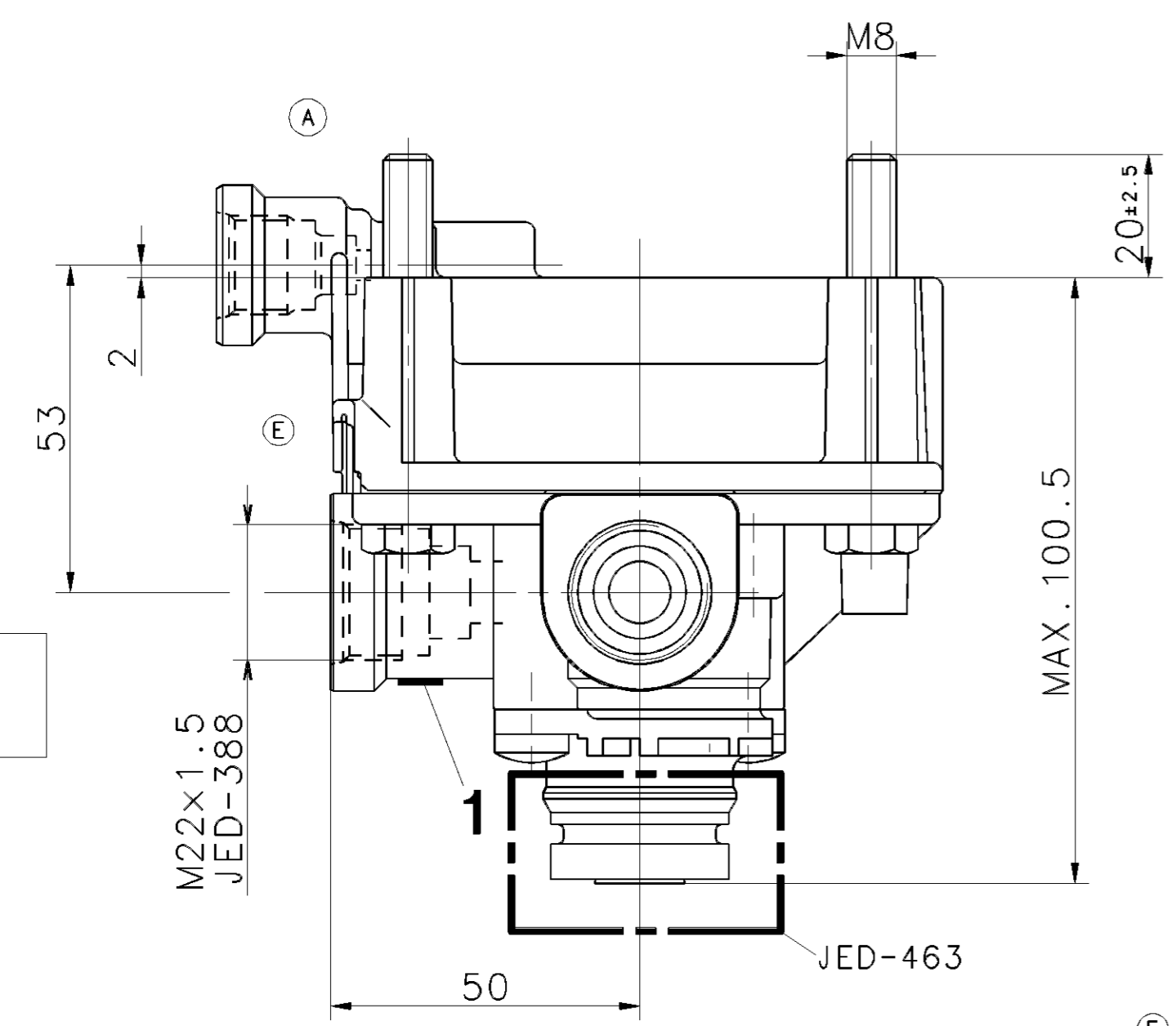


NON È PERMESSO CONCESSIONE A TERZI O RIPRODURRE QUESTO DOCUMENTO. NE UTILIZZARNE IL CONTENUTO O RENDERSI RESPONSABILI PER QUALSIASI DANNI, PERDITE O GUASTI. È FATTA RISERVA DI TUTTI I DIRITTI DERIVANTI DA BREVETTI O MODELLI.
 COPIING OF THIS DOCUMENT AND ITS CONTENTS, INCLUDING THE USE OF COMMUNICATION OF THE CONTENTS THEREOF, IS PROHIBITED WITHOUT THE WRITTEN PERMISSION OF WABCO. ALL RIGHTS ARE RESERVED IN THE EVENT OF THE GRANT OF PATENT OR REGISTRATION OF A UTILITY MODEL OR DESIGN. THIS DOCUMENT IS THE SUBJECT OF COPYRIGHT.



Y DESIGN PERMISSIBLE
 AUSFUEHRUNG ZULAESSIG
 REALISATION ADMISE
 DISEGNO AMMISSIBILE

MEDIUM: AIR
 MEDIUM: LUFT
 FLUIDE: AIR
 FLUIDO: ARIA

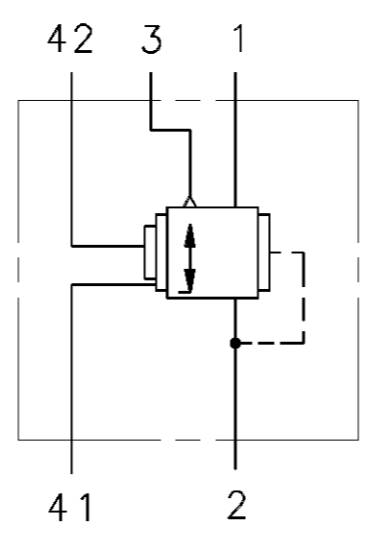
WORKING PRESSURE: MAX. p_e 10bar
 TEMPORARILY: MAX. p_e = 13bar
 BETRIEBSDRUCK: MAX. p_e 10bar
 KURZZEITIG: MAX. p_e = 13bar
 PRESSION DE SERVICE: DE COURTE DUREE:
 PRESSIONE D'ESERCIZIO: BREVE TEMPO SOLO:

- 1 SUPPLY VORRAT ALIMENTATION ALIMENTAZIONE
- 2 DELIVERY PRESSURE AUSGESTEUERTER DRUCK PRESSION DELIVREE PRESSIONE EROGATA
- 3 EXHAUST ENTLUEFTUNG ECHAPPEMENT SCARICO

SUPPLY PRESSURE: MAX. p_e = 13bar
 VORRATSDRUCK: MAX. p_e = 13bar
 PRESSION D'ALIMENTATION:
 PRESSIONE DI ALIMENTAZIONE:

PERMISSIBLE INSTALLATION ZULAESSIGE EINBAULAGE POSITION D'INSTALLATION ADMISE POSIZIONE DI MONTAGGIO AMMESSA ±90°

41 / 42 CONTROL PRESSURE STEUERDRUCK PRESSION DE COMMANDE PRESSIONE DI COMANDO



TORQUE FOR CONNECTIONS:
 ANZUGSMOMENT FUER EINSCHRAUBSTUTZEN: M16x1.5: $M_{max} = 34$ Nm
 COUPLE DE SERRAGE DES RACCORDS: M22x1.5: $M_{max} = 53$ Nm
 COPPIA DI SERRAGGIO DEI RACCORDI:

THERMAL RANGE OF APPLICATION:
 THERMISCHER ANWENDUNGSBEREICH: -40°...+80° C
 GAMME D'APPLICATION THERMIQUE:
 CAMPO DI APPLICAZIONE TERMICA:

GENERAL SPECIFICATION:		JED-334	
FURTHER TECHNICAL DATA:			
DOC. CODE:	SHEET:	TO	
GENERAL TOLERANCES			
CLASS 1)	RANGE OF NOMINAL DIMENSIONS (± mm)		
	≤50	>50 ≤180	>180 ≤400
FINE	0,5	1,0	1,5
MEDIUM	1,0	2,0	3,0
COARSE	2,0	3,5	5,0
TAPPED HOLES ACC. ISO 4039 / JED-152		053503	4xA
1) TOLERANCE CLASS APPLIED CROSSMARKED		DCN-NO.	REV.

CADAM-DRAWING COPYRIGHT		WABCO	
DATE	SIGNATURE	RELAY VALVE	
93-03-02	HAUKE	RELAISVENTIL	
DRAWN:		VALVE RELAIS	
93-03-04		VALVOLA RELIE	
CHECKED: FAUCK		STANDARDIZATION:	
93-03-05		PANTZER	
MASS	SCALE	PRODUCT IDENTIFICATION NO.	
1,1	1:1	973 011 200 0	
KG	(2:1)	DOC. CODE	SHEET
SIZE	T.R.I.	605	1/1
A 2	140	REPLACEMENT FOR	