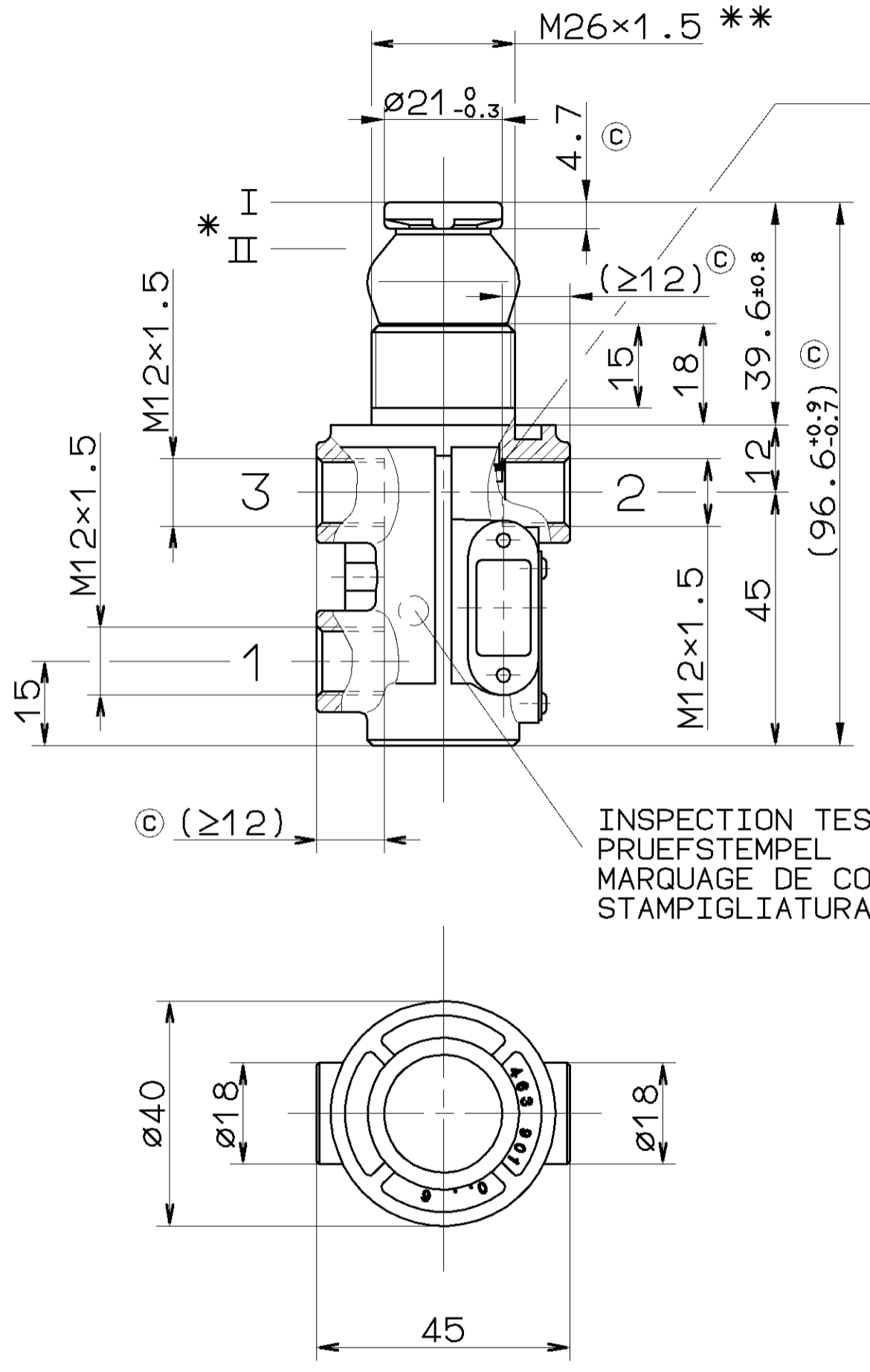
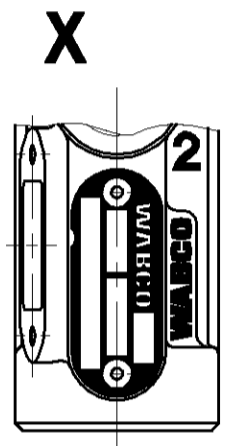


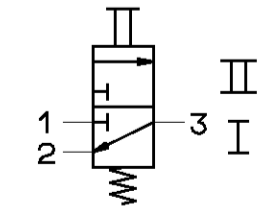
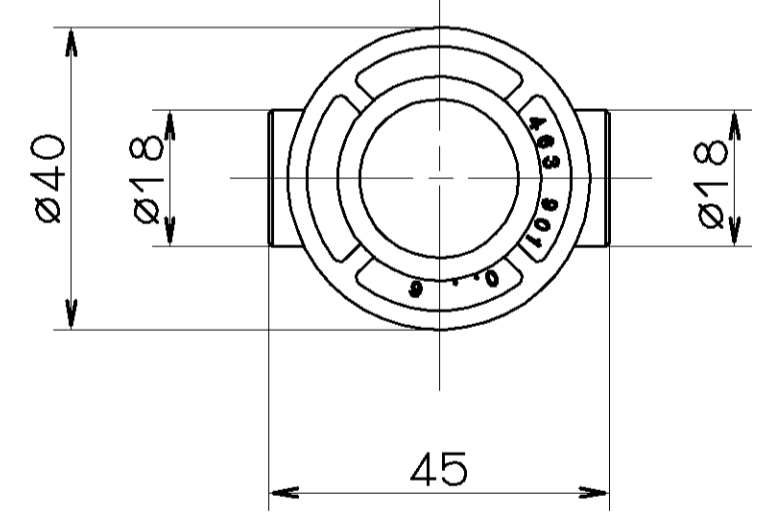
NON E' PERMESSO CONSERVARE A TERZI O RIPRODURRE QUESTO DOCUMENTO. NE UTILIZZARE IL CONTENUTO O RES-
 AINSI E CONSIDERARE IL RESERVATOIRE DEL DANNI SUBITO. E' FATTA RISERVA DA TUTTI I DIRITTI DERIVANTI DA
 BREVETTI O MODELLI.
 COPIING OF THIS DOCUMENT AND GIVING IT TO OTHERS AND THE USE OF COMMUNICATION OF THE CONTENTS THEREOF,
 WITHOUT THE WRITTEN PERMISSION OF THE DRAWING OFFICE, IS PROHIBITED. ALL RIGHTS ARE RESERVED IN THE EVENT OF THE
 ABUSE AND RESULT IN A LIABILITY TO THE PAYMENT OF DAMAGES. ALL RIGHTS ARE RESERVED IN THE EVENT OF THE
 GRANT OF PATENT OR REGISTRATION OF A UTILITY MODEL OR DESIGN. THIS DOCUMENT IS THE SUBJECT OF COPYRIGHT.

TOUTE COMMUNICATION OU REPRODUCTION DE CE DOCUMENT, TOUTE EXPLOITATION OU COMMUNICATION DE SON CONTE-
 NUT, SANS LE PERMIS ECRIT DU SERVICE DES DRAWINGS, EST INTERDITE. A TOUTS DROITS DE PROPRIETE
 INDUSTRIELLE RESERVEES, NOTAMMENT EN MATIERE DE BREVETS ET DE MODELES.
 NUTZUNG DER VERFAHRENS- UND/ODER MATERIAL-RECHTVERHALTEN UND MITTEILUNG DER INHALTE NICHT
 OHNE SCHRIFTLICHE ZULASSUNG DER ZEICHNUNGSWERKSTÄTTE IST VERBODEN. ALLE RECHTE SIND RESERVIERTE. IM FALLE
 MISSBRAUCH DAR LÄND VERPFLICHTEN ZU SCHADENSERSATZ. ALLE RECHTE SIND RESERVIERTE. IM FALLE
 GEBRAUCHSREGISTER-EINTRAGUNG VORBEHALTEN.



FILTER
 FILTER
 FILTRE
 FILTRO

INSPECTION TEST STAMP
 PRUEFSTEMPEL
 MARQUAGE DE CONTROLE
 STAMPIGLIATURA DI COLLAUDO



- 1 SUPPLY OF ENERGY FROM THE RESERVOIR
 ENERGIEZUFLUSS VOM VORRAT
 CHARGE D'ENERGIE DU RESERVOIR
 ALIMENTAZIONE DI ENERGIA DAL SERBATOIO
- 3 DELIVERY
 ENERGIEABFLUSS IN DIE ARBEITSLEITUNG
 UTILISATION
 MANDATA
- 2 TO ATMOSPHERE (EXHAUST)
 ANSCHLUSS ATMOSPHAERE (ENTLUEFTUNG)
 A L'ATMOSPHAERE (ECHAPPEMENT)
 ALL'ATMOSFERA (SCARICO)

THERMAL RANGE OF APPLICATION :
 THERMISCHER ANWENDUNGSBEREICH : -40°C ... +80°C
 GAMME D'APPLICATION THERMIQUE :
 CAMPO DI APPLICAZIONE TERMICA :

NOMINAL DIAMETER :
 NENNWEITE : $\phi 4$ mm
 DIAMETRE NOMINAL :
 DIAMETRO NOMINALE :

MAX. PERMISSIBLE WORKING PRESSURE :
 MAX. ZULAESSIGER BETRIEBSDRUCK :
 PRESSION D'UTILIZATION MAXI ADMISSIBLE : $p_e = 10$ bar
 PRESSIONE DI ESERCIZIO MAX. AMMISSIBLE :

OPERATING FORCE AT RESERVOIR PRESSURE :
 BETAETIGUNGSKRAFT BEI VORRATSDRUCK : = 5 bar:MAX.80 N
 EFFORT DE COMMANDE SOUS PRESSION DE RESERVOIR : = 7 bar:MAX.94 N
 FORZA DI COMANDO PRESSIONE DI SERBATOIO :

HOLDING FORCE AT RESERVOIR PRESSURE :
 HALTEKRAFT BEI VORRATSDRUCK : = 5 bar:MAX.46 N
 EFFORT DE MAINTIEN SOUS PRESSION DE RESERVOIR : = 7 bar:MAX.50 N
 FORZA DI REGIME PRESSIONE DI SERBATOIO :

WORKING MEDIUM : AIR
 ARBEITSMEDIUM : LUFT
 FLUIDE D'UTILISATION : AIR
 FLUIDO DI ESERCIZIO : ARIA

COURSE :
 * BETAETIGUNGSWEG : $7.5_{\pm 0.3}^{\pm 0.4}$ mm
 COURSE :
 CORSA :

MAJOR THREAD DIAMETER :
 * * GEWINDEAUSSENDURCHMESSER 26:3:1
 DIAMETRE EXTERIEUR
 DIAMETRO ESTERNO

AUXILIARY DIMENSION :
 HILFSSMASS :
 DIMENSION AUXILIAIRE :
 DIMENSIONE AUSILIARIA

GENERAL SPECIFICATION: JED-334		CADAM-DRAWING COPYRIGHT		WABCO	
FURTHER TECHNICAL DATA:		DATE: 95-06-16		SIGNATURE: STEINFELD	
DOC. CODE: SHEET: TO:		DRAWN: 95-06-16		CHECKED: DIEKMEYER	
GENERAL TOLERANCES		STANDARDIZATION: THIELE		PRODUCT IDENTIFICATION NO. 463 013 111 0	
CLASS 1)	RANGE OF NOMINAL DIMENSIONS (± mm)				± 3°
	≤50	≤180	≤400	>400	
	FINE X	0,5	1,0	1,5	
MEDIUM	1,0	2,0	3,0	4,0	
COARSE	2,0	3,5	5,0	6,5	
TAPPED HOLES ACC. ISO 4039 / JED-182		057032	5×C	95-06-16	
1) TOLERANCE CLASS APPLIED CROSSMARKED		DCN-NO.	REV.	DATE	
		SCALE: 1:1		REPLACEMENT FOR: 463 013 111 0 (C) OF 77-09-05	
		SIZE: A 2		SHAPE CODE: EXPERT CODE: 7 2 8	
		MASS: 0.23 KG		SHEET: 1/1	
		T.R.I.:		PRODUCT TYPE: 0 0 X	

1899/012/204_93
 605/603