

\*) STOP WITHIN THE DEVICE ADMISSIBLE  
 ANSCHLAG IM GERÄT ZULÄSSIG  
 BUTEE DANS L'APPAREIL ADMISE  
 ARRESTO NEL APPARATO AMMISSIBILE  
 TOPE DENTRO DEL APARATO ADMISIBLE

AT FAILURE CIRCUIT 1 : NECESSARY COURSE  $S \geq 14 \text{ mm}$   
 NECESSARY FORCE  $F = 3000 \text{ N}$   
 BEI AUSFALL KREIS 1 : ERFORDERLICHER WEG  $S \geq 14 \text{ mm}$   
 ERFORDERLICHE KRAFT  $F = 3000 \text{ N}$   
 EN CAS DE DEFAILLANCE : COURSE NECESSAIRE  $S \geq 14 \text{ mm}$   
 FORCE NECESSAIRE  $F = 3000 \text{ N}$   
 IN CASO DI DIFETTO : CORSA NECESSARIA  $S \geq 14 \text{ mm}$   
 FORZA NECESSARIA  $F = 3000 \text{ N}$   
 CIRCUITI 1

**11 / 12** SUPPLY VORRAT ALIMENTATION ALIMENTAZIONE  
**21 / 22** OUTLET AUSGANG SORTIE USCITA  
**3** EXHAUST ENTLUEFTUNG ECHAPPEMENT SCARICO  
**4** CONTROL PORT STEUERANSCHLUSS ORIFICE DE COMANDO ORIFICIO DI COMANDO

THERMAL RANGE OF APPLICATION:  
 THERMISCHER ANWENDUNGSBEREICH:  $-40^\circ \text{C} \dots +80^\circ \text{C}$   
 GAMME D'APPLICATION THERMIQUE:  
 CAMPO DI APPLICAZIONE:

MEDIUM: AIR  
 MEDIUM: LUFT  
 FLUIDE: AIR  
 FLUIDO: ARIA

NOMINAL DIAMETER:  
 NENNWEITE:  $78.5 \text{ mm}^2 \pm \varnothing 10$   
 DIAMETRE NOMINAL:  
 DIAMETRO NOMINALE:

INSTALLATION POSITION : OPTIONAL  
 EINBAULAGE : BELIEBIG  
 POSITION D'INSTALLATION : A VOLONTE  
 POSIZIONE DI MONTAGGIO : A SCELTA

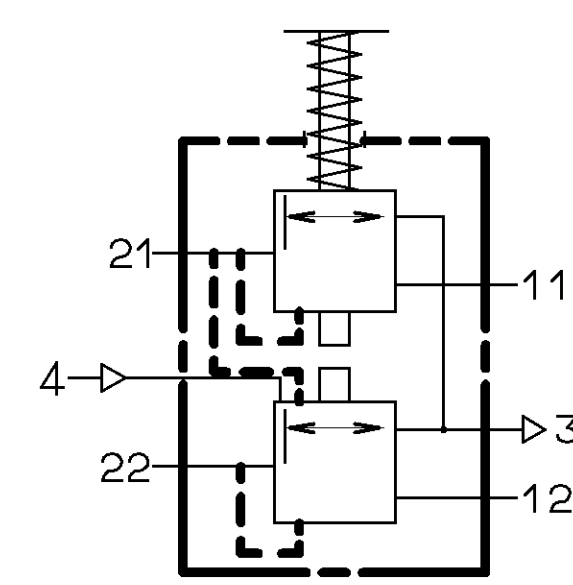
WORKING PRESSURE:  
 BETRIEBSDRUCK:  $p_e = \text{MAX. } 8.5 \text{ bar}$   
 PRESSION D'UTILISATION :  
 PRESSIONE DI ESERCIZIO :

(TEMPORARILY :  
 (KURZZEITIG :  $p_e = \text{MAX. } 10 \text{ bar}$ )  
 (DE COURTE DUREE :  
 (BREVE TEMPO SOLO :

TORQUE FOR CONNECTIONS:  
 ANZUGSMOMENT FUER EINSCHRAUBSTUTZEN:  
 COUPLE DE SERRAGE DES RACCORDS:  
 COPPIA DI SERRAGGIO DEI RACCORDI:

M16x1.5: M=MAX. 34 Nm  
 M22x1.5: M=MAX. 53 Nm

\*\*\*\*) MARKED AREA FREE FROM PAINT; VENTILATION  
 MARKIERTER BEREICH FREI VON FARBE; BEATMUNG  
 PARTIE MARQUEE SANS PEINTURE; VENTILATION  
 PARTE SEGNATA SENZA VERNICE; VENTILAZIONE



GENERAL SPECIFICATION: FURTHER TECHNICAL DATA:		DATE: 96-06-06 DRAWN: KULERSKY		<b>WABCO</b>	
DOC. CODE: JED-334		SHEET: 1 TO 1		CHECKED: 96-06-06 MARTINI	
GENERAL TOLERANCES (± mm)					
CLASS	1)	≤50	>50 ≤180	>180 ≤400	>400
FINE	×	0,5	1,0	1,5	2,0
MEDIUM	×	1,0	2,0	3,0	4,0
COARSE	×	2,0	3,5	5,0	6,5
TAPPED HOLES ACC. ISO 4039 / JED-162		DIN-NO. 062454		DATE 98-02-17	
1) TOLERANCE CLASS APPLIED CROSSMARKED		REV. 1×B		DATE 96-06-03	
		SCALE: 1:1		PRODUCT IDENTIFICATION NO. 461 319 250 0	
		SIZE: A 1		SHAPE CODE: 461 319 250 0 (B)	
		100mm		EXPERT CODE: 7336	