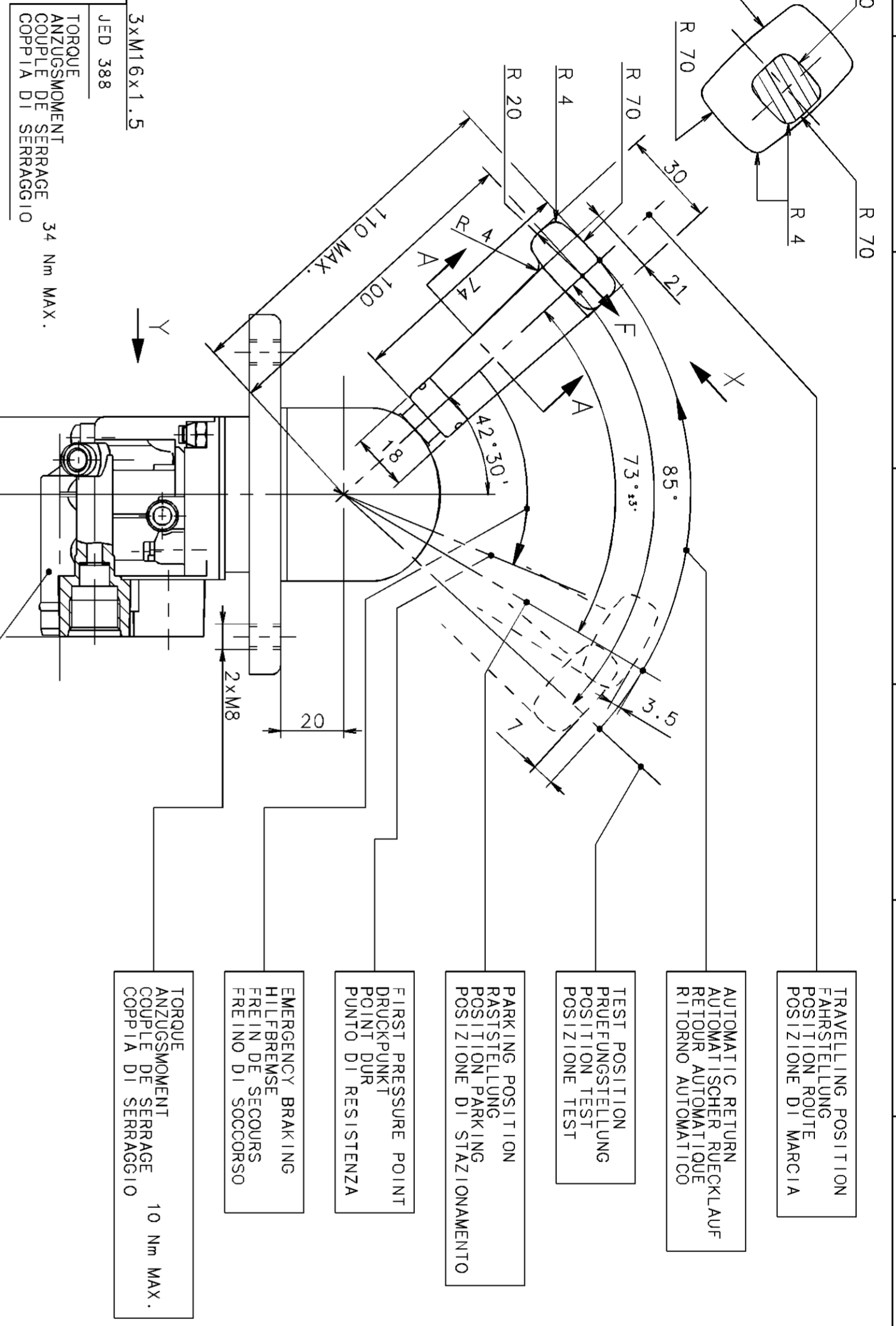
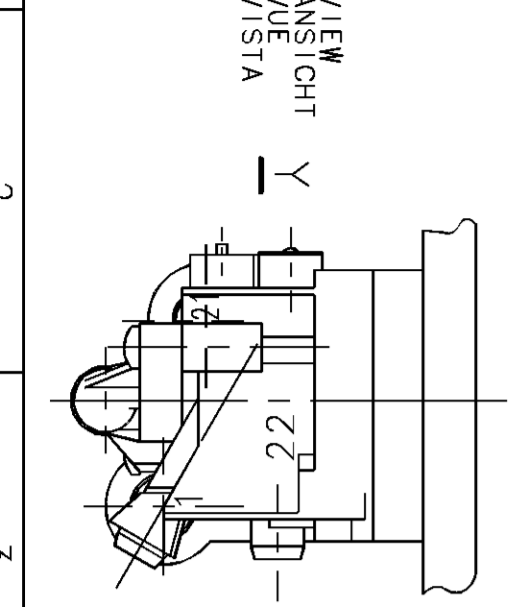
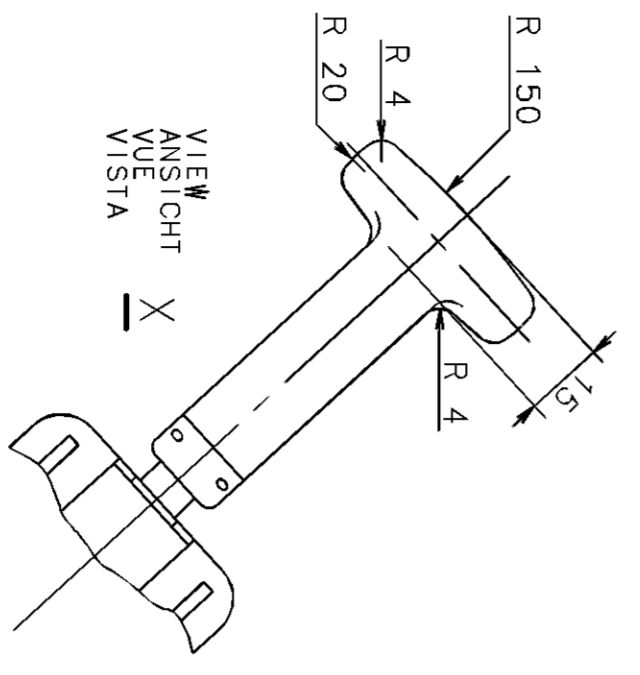
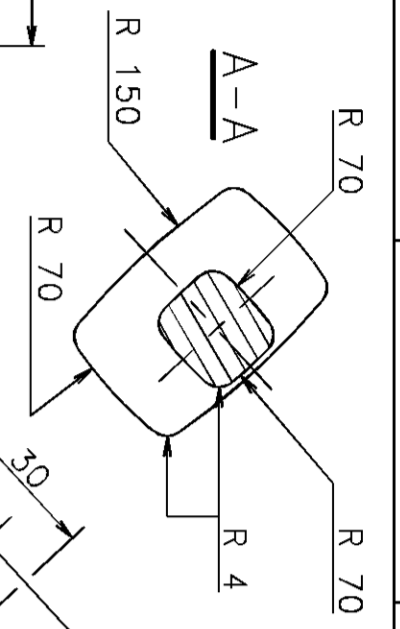
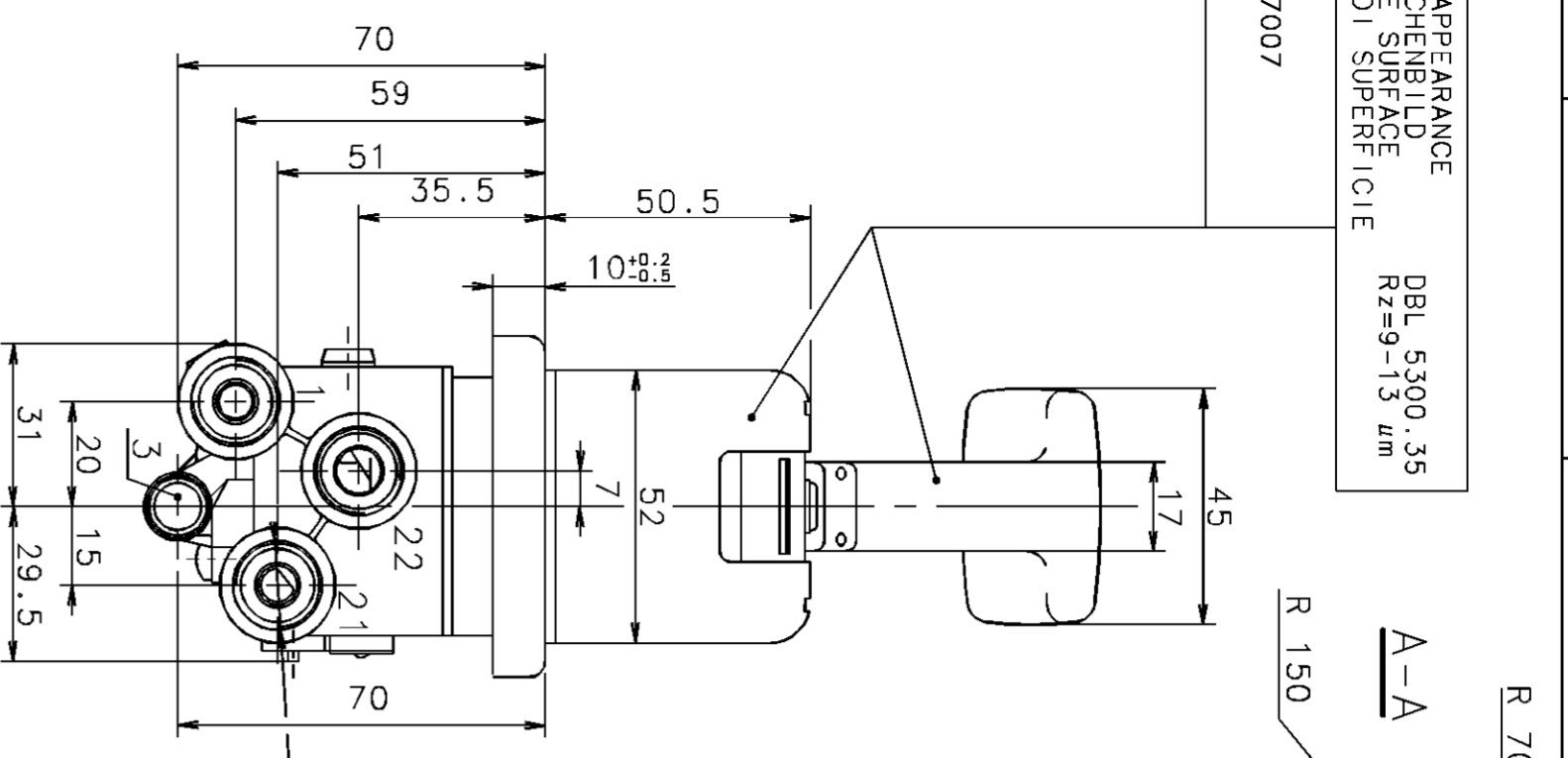


SURFACE APPEARANCE
 OBERFLÄCHENBLD
 ASPECT DE SURFACE
 ASPETTO DI SUPERFICIE
 DBL 5300.35
 Rz=9-13 μ m



TRAVELLING POSITION
 FAHRSTELLENG
 POSIZIONE DI MARCIA

AUTOMATIC RETURN
 RETOUR AUTOMATIQUE
 RITORNO AUTOMATICO

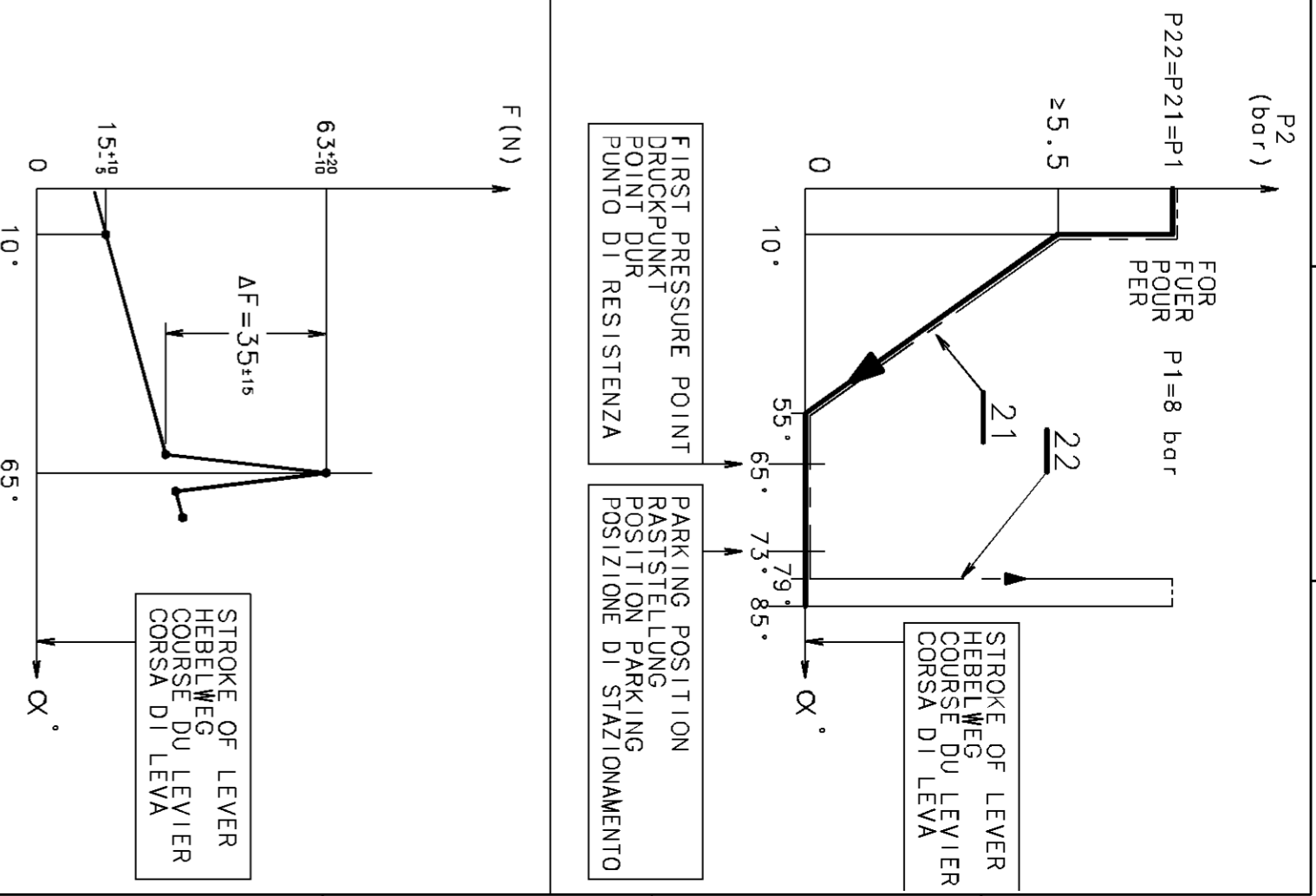
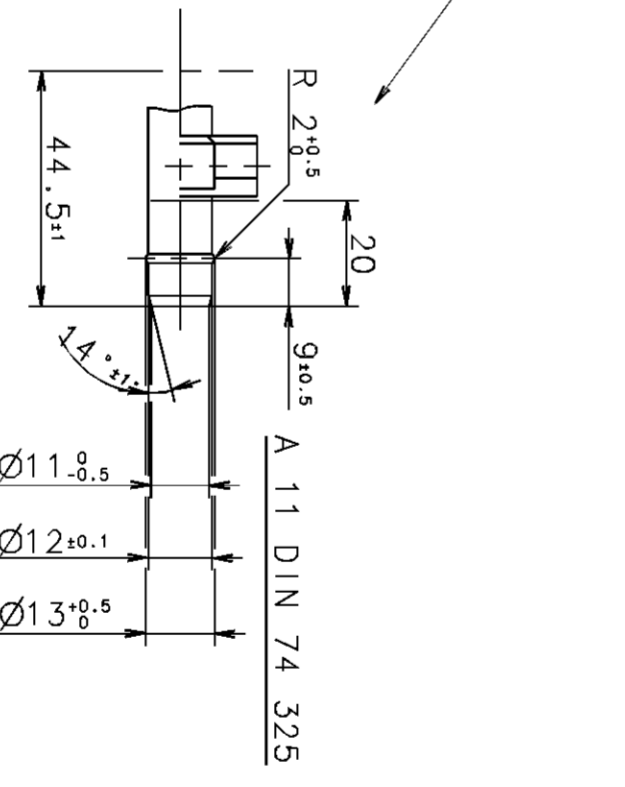
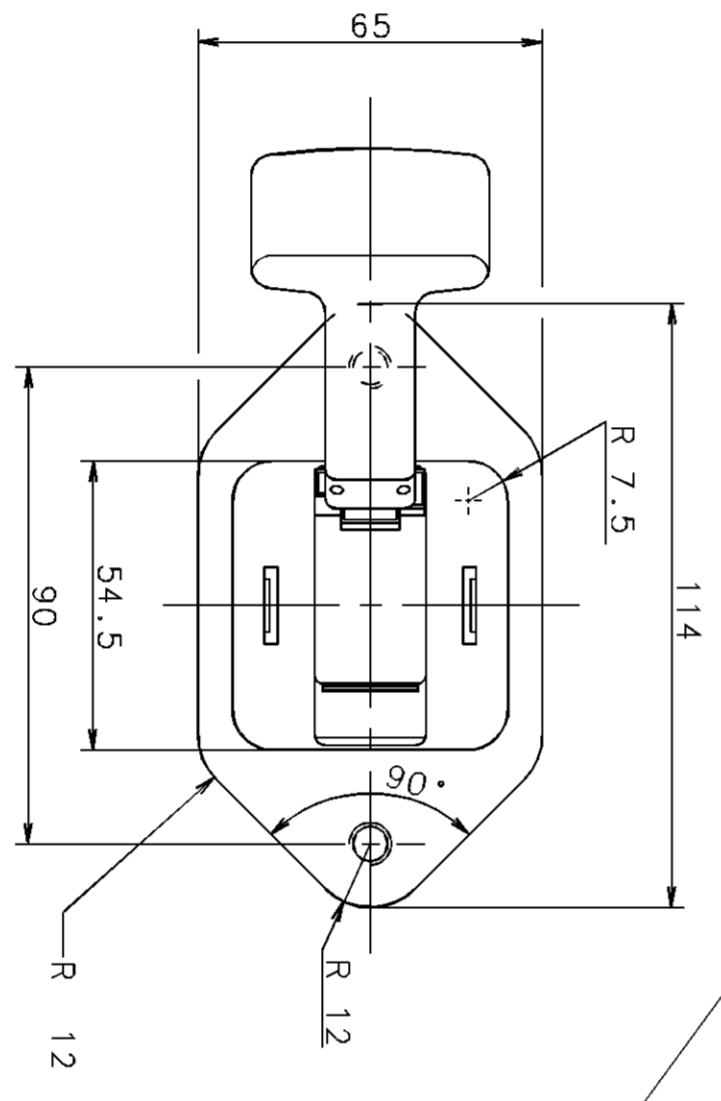
TEST POSITION
 PRUEFUNGSTELLUNG
 POSIZIONE TEST

PARKING POSITION
 RASTSTELLUNG
 POSIZIONE DI STAZIONAMENTO

FIRST PRESSURE POINT
 DRUCKPUNKT
 PUNTO DI RESISTENZA

EMERGENCY BRAKING
 HILFREMSE
 FREIN DE SECOURS
 FRENO DI SOCCORSO

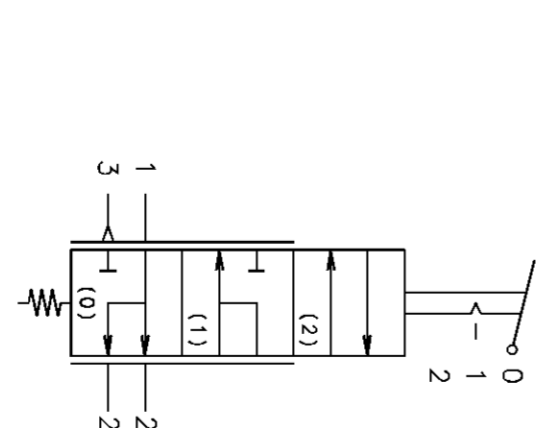
TORQUE
 ANZUGSMOMENT
 COUPLE DE SERRAGE
 COPPIA DI SERRAGGIO 10 Nm MAX.



FIRST PRESSURE POINT
 DRUCKPUNKT
 PUNTO DI RESISTENZA

PARKING POSITION
 RASTSTELLUNG
 POSIZIONE DI STAZIONAMENTO

STROKE OF LEVER
 HEBELWEG
 COURSE DU LEVIER
 CORSA DI LEVA



TESTING SCHEME
 SYMBOLE
 DE PRINCIPALE
 SCHEMA DI PRINCIPALE

1	SUPPLY VORRAT ALIMENTAZIONE	SHORT TERM RESISTANCE TO HEAT KURZZEITIGE WÄRMESTABILITÄT RESISTANZA A LA CHALEUR A COURTE DUREE	MAX. 200h, +90°C
21	SPRING BRAKE CYLINDER FEDERSPEICHERZYLINDER CYLINDRO A MOLLA	MEDIUM : AIR MEDIUM : LUFT FLUIDO : ARIA	
22	TRAILER CONTROL VALVE ANHÄNGER STEUERVENTIL VALVOLA DI CONTROLLO DI REMORCHIO	THERMICAL RANGE THERMISCHER ANWENDUNGSBEREICH TEMPERATURA DI UTILIZZAZIONE	-40 +80 °C
3	EXHAUST ENTLÜFTUNG SCARICO	P ₁ = 10 bar MAX.	

FURTHER TECHNICAL DATA SEE

IDENTIFICATION NO.:	666	SHEET:	J
GENERAL TOLERANCES			
RANGE OF NOMINAL DIMENSIONS (± mm)	0,5 - 1,0	1,5 - 2,0	>2,0
CLASS	1)	2)	3)
	±0.10	±0.15	±0.20
	±0.10	±0.15	±0.20
	±0.10	±0.15	±0.20
	±0.10	±0.15	±0.20
TAPERED HOLES ACC. ISO 4028	±0.10	±0.15	±0.20
1) TOLERANCE CLASS APPLIED CROSSHAIR	±0.10	±0.15	±0.20

DATE	93-01-18	DESIGN	D	GESTIN
DATE	93-01-18	CHECKED	G	
DATE	93-01-18	APPROVED	F	
DATE	93-01-20	REVISION	AA	
DATE	93-01-20	REVISION	B	
DATE	93-01-20	REVISION	C	
DATE	93-01-20	REVISION	D	
DATE	93-01-20	REVISION	E	
DATE	93-01-20	REVISION	F	
DATE	93-01-20	REVISION	G	
DATE	93-01-20	REVISION	H	
DATE	93-01-20	REVISION	I	
DATE	93-01-20	REVISION	J	
DATE	93-01-20	REVISION	K	
DATE	93-01-20	REVISION	L	

WABCO

HAND BRAKE VALVE
 HANDBREMSEVENTIL
 ROBINET DE FREINAGE A MAIN
 ROBINETTO DI COMANDO A MANO

MASS SCALE
 0,80 1,1
 1,0 2,0 3,0 4,0 ± 3'

PRODUCT IDENTIFICATION NO.
 961 723 104 0

REFERENCE SHEET
 605 1/1

DRAWING OF 87-03-30