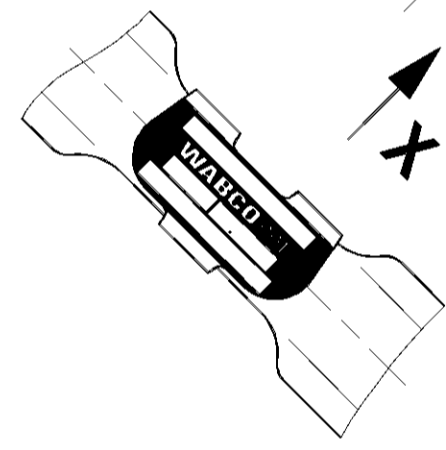
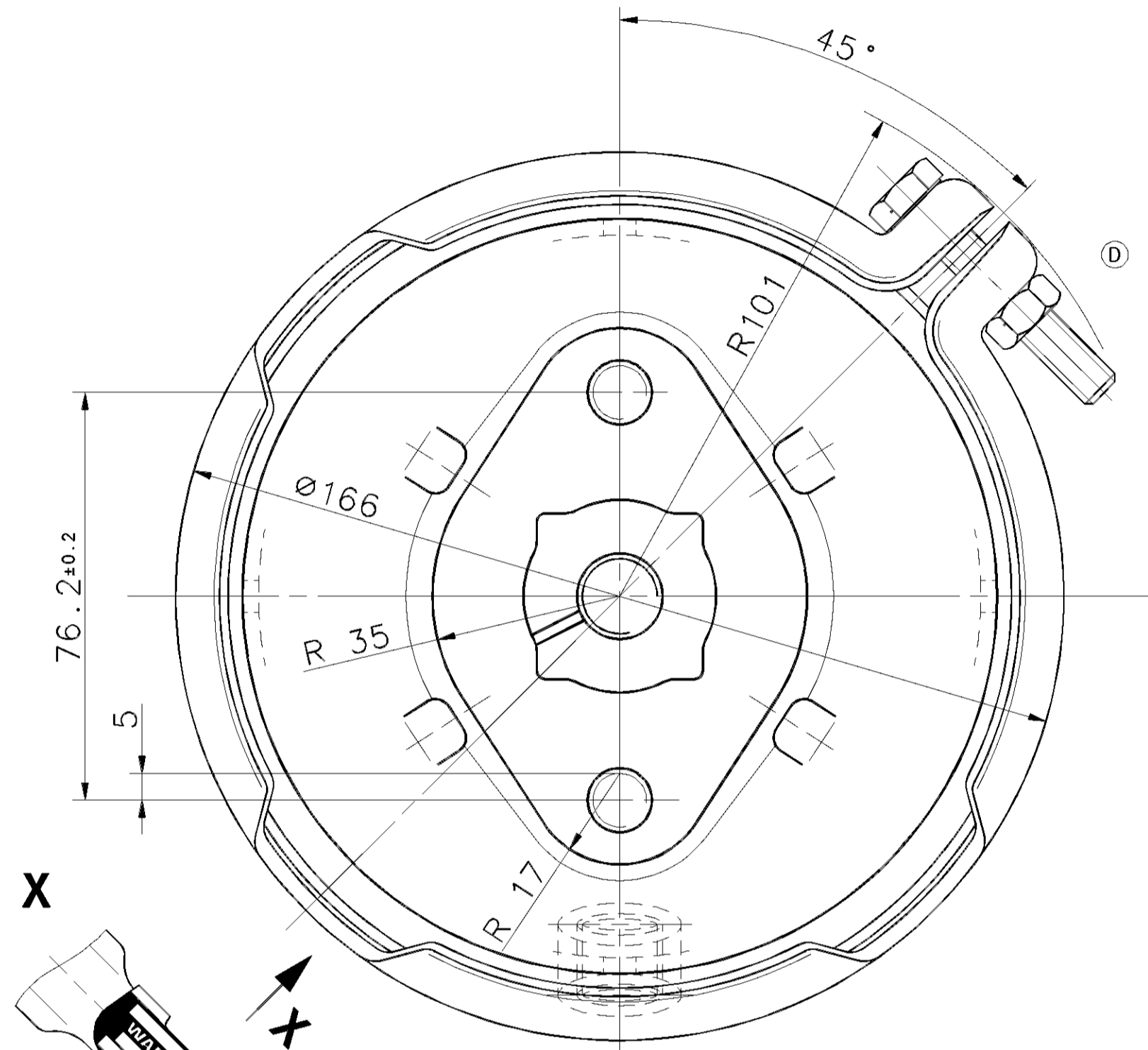


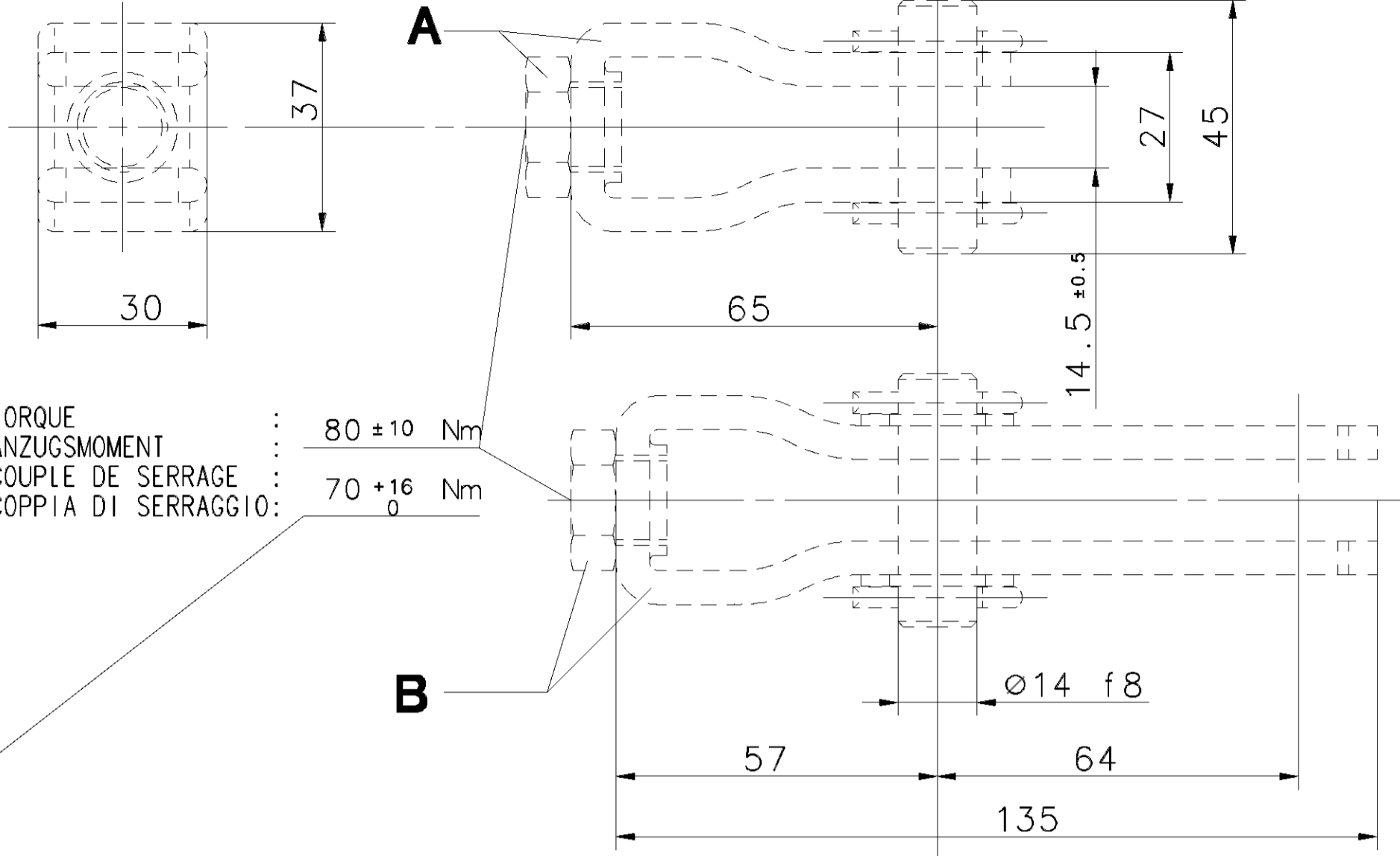
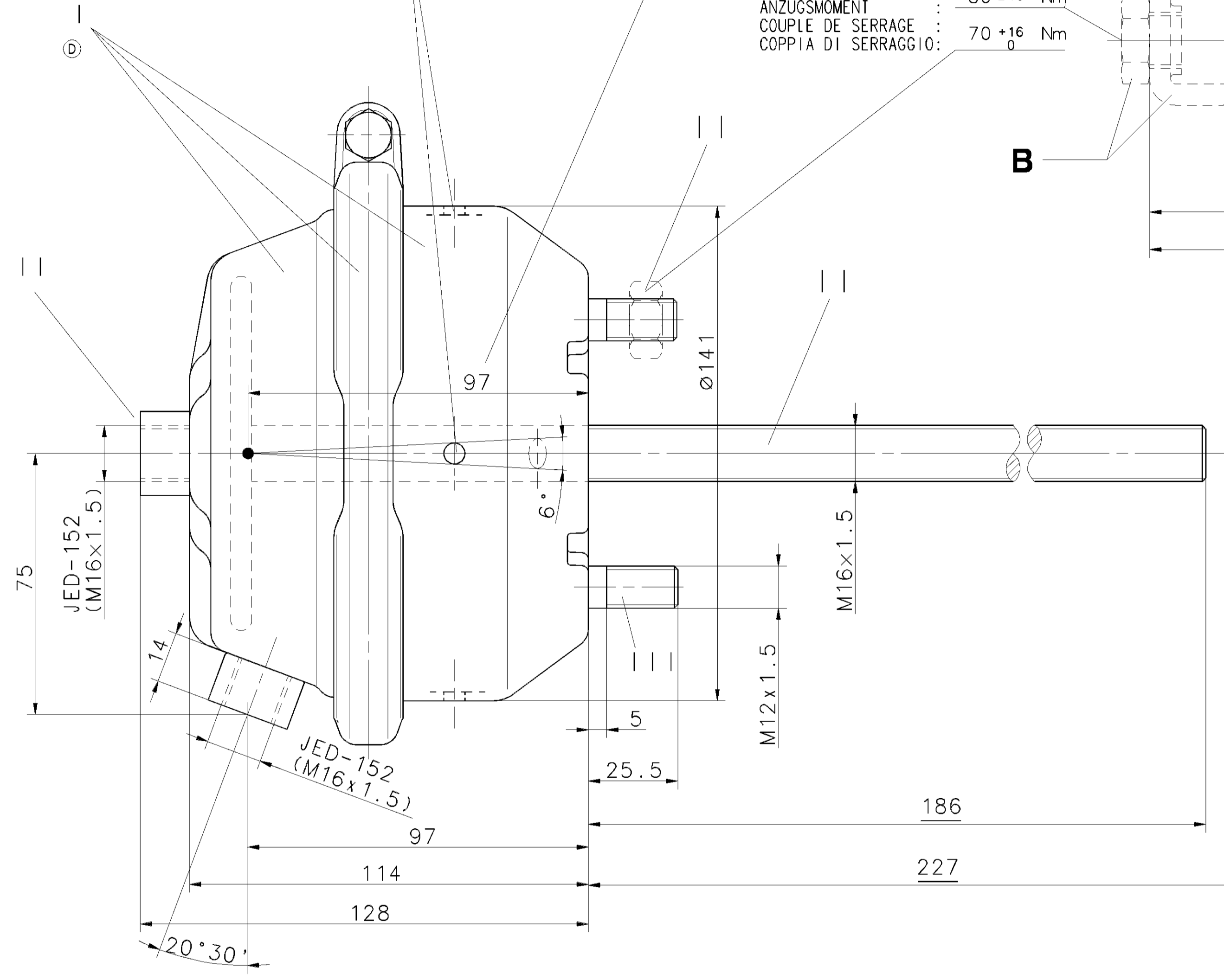
I	JED-240-3
II	JED-256-1
III	JED-371



**) TO BE INSTALLED WITH LOWER BREATHER HOLE
IM EINBAUZUSTAND UNTERE ATMUNGSBOHRUNG ±30°
A MONTER AVEC LE RENIFLARD INFÉRIEUR
INSTALLAZIONE : CON IL FORO DI SFIATO INFERIORE

THEORETICAL SWIVEL POINT OF THE PUSH ROD
THEOR. SCHWENKPUNKT DER DRUCKSTANGE
CENTRE D'ARTICULATION THEORIQUE DE LA TIGE
CENTRO D'ARTICOLAZIONE TEORICO DELL'ASTA

BREATHER HOLES
ATMUNGSBOHRUNGEN 4 x Ø 6
TROUS DE RENIFLANT
FORI DI RESPIRATORE



TORQUE
ANZUGSMOMENT : 80 ± 10 Nm
COUPLE DE SERRAGE : 70 +16 / 0 Nm
COPPIA DI SERRAGGIO:

STROKE :
HUB : 75 mm
COURSE :
CORSA :

EXTERNAL STROKE LIMIT
HUBBEGRENZUNG EXTERN
LIMITE DE COURSE EXTERNE
LIMITAZIONE DI CORSA ESTERNO

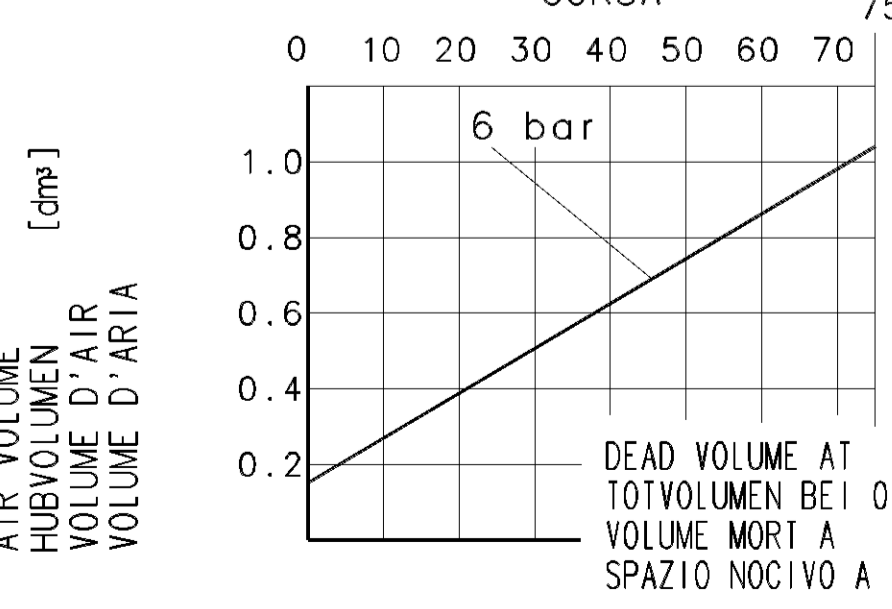
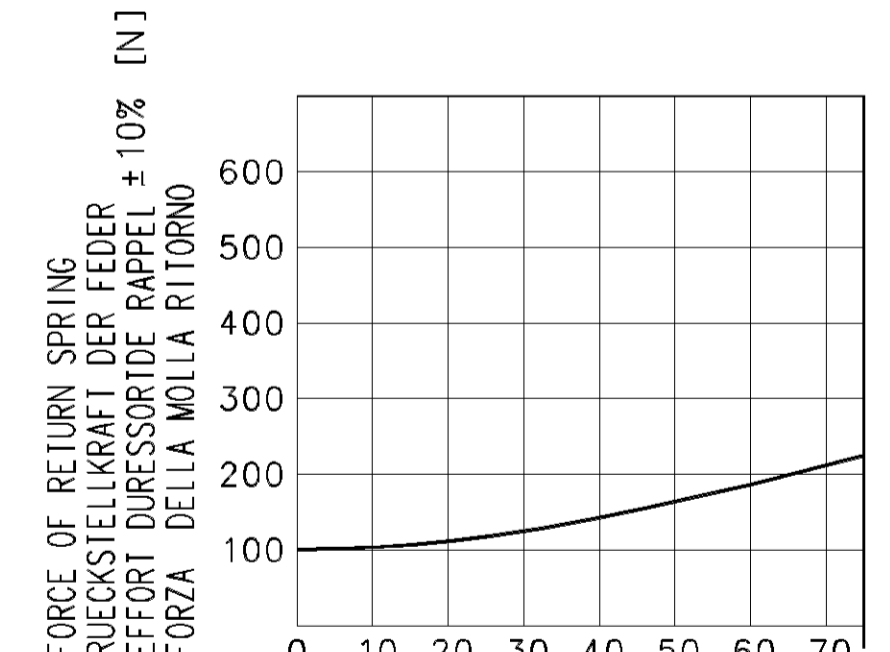
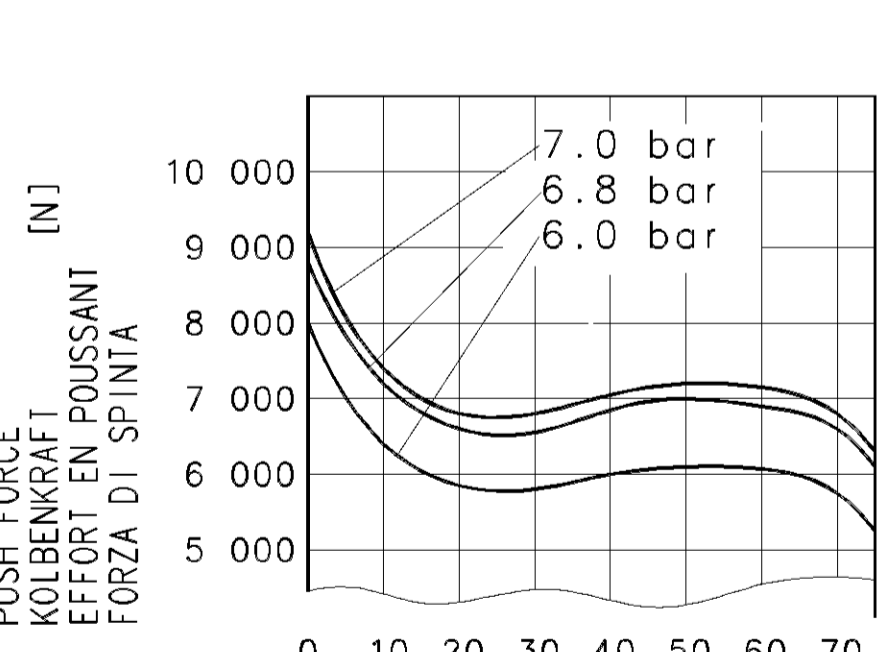
THERMAL RANGE OF APPLICATION : -40° C. +80° C
THERMISCHER ANWENDUNGSBEREICH :
GAMME D'APPLICATION THERMIQUE :
CAMPO DI APPLICAZIONE TERMICA :

SERVICE PRESSURE :
BETRIEBSDRUCK : pe = max. 8.5 bar
PRESSION DE SERVICE :
PRESSIONE D'ESERCIZIO :

MEDIUM : AIR
MEDIUM : LUFT
FLUIDE : AIR
FLUIDO : ARIA

ADMISSIBLE INSTALLATION POSITION
ZULAESSIGE EINBAULAGE +90°
POSITION D'INSTALLATION ADMISE -60°
POSIZIONE DI MONTAGGIO AMMESSA

*) BY-PACKING : A 423 902 533 2 ON SPECIAL ORDER ONLY
BEIPACK : NUR AUF BESTELLUNG
PAQUET JOINT : B 423 902 534 2 SUR COMMANDE SEULEMENT
PACKO RIUNCHIUSO : SU ORDINAZIONE SOLAMENTE



DEAD VOLUME AT 0 bar : = 0.045 dm³
VOLUME MORT A 0 bar : = 0.045 dm³
SPAZIO NOCIVO A 0 bar : = 0.045 dm³

GENERAL SPECIFICATION: JED-334		DATE: 00-05-25		SIGNATURE: Gnarfari		DRAWN: Gnarfari		CHECKED: Mueller		STANDARDIZATION:		PRODUCT IDENTIFICATION NO. 423 104 900 0		DOC. CODE 605		SHEET 1/1			
FURTHER TECHNICAL DATA:		SHEET: TO		DATE: 00-05-25		SIGNATURE:		CHECKED:		STANDARDIZATION:		PRODUCT IDENTIFICATION NO. 423 104 900 0		DOC. CODE 605		SHEET 1/1			
GENERAL TOLERANCES		RANGE OF NOMINAL DIMENSIONS (± mm)		CLASS 1)		FINE		MEDIUM		COARSE		TAPPED HOLES ACC. ISO 4039 / JED-152		DCH-NO.		REV.		DATE	
CLASS 1)		> 50		≤ 50		≤ 180		≤ 400		> 400		0.5		1.0		1.5		2.0	
FINE		1.0		2.0		3.0		4.0		± 3'		077632		2xD		00-11-14		075390	
MEDIUM		2.0		3.5		5.0		6.5				077632		2xD		00-11-14		075390	
COARSE		2.0		3.5		5.0		6.5				077632		2xD		00-11-14		075390	
TAPPED HOLES ACC. ISO 4039 / JED-152		DCH-NO.		REV.		DATE		A 1		185		534		SHAPE CODE		REPLACEMENT FOR			
1) TOLERANCE CLASS APPLIED CROSSMARKED		DCH-NO.		REV.		DATE		A 1		185		534		SHAPE CODE		REPLACEMENT FOR			