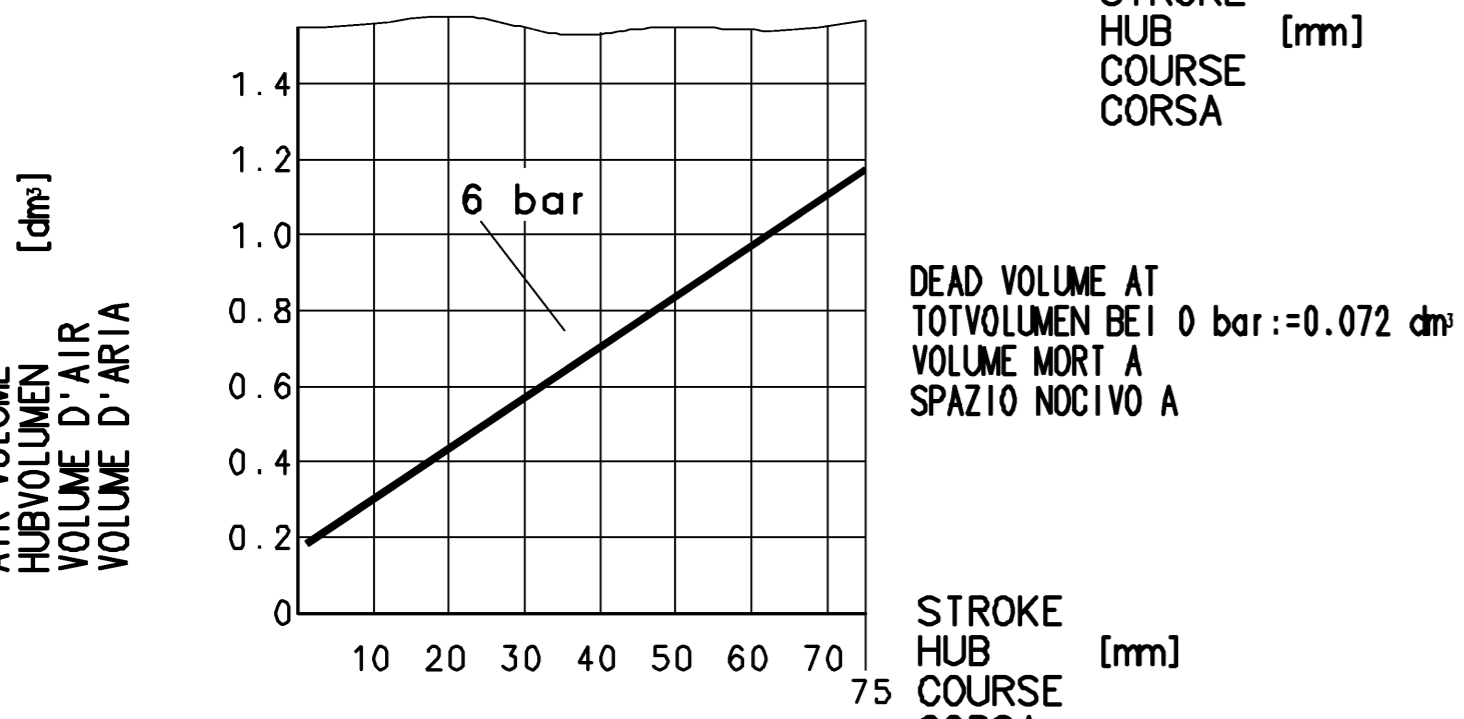
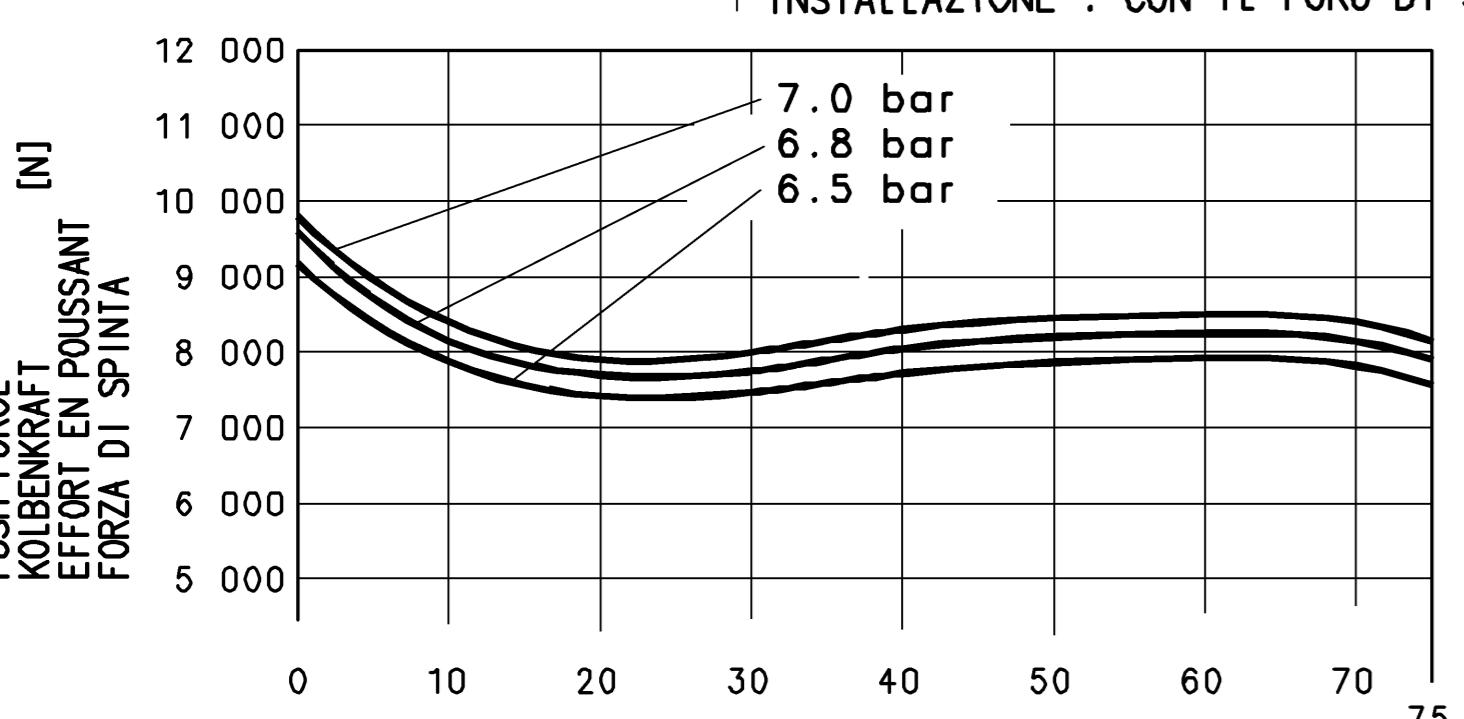
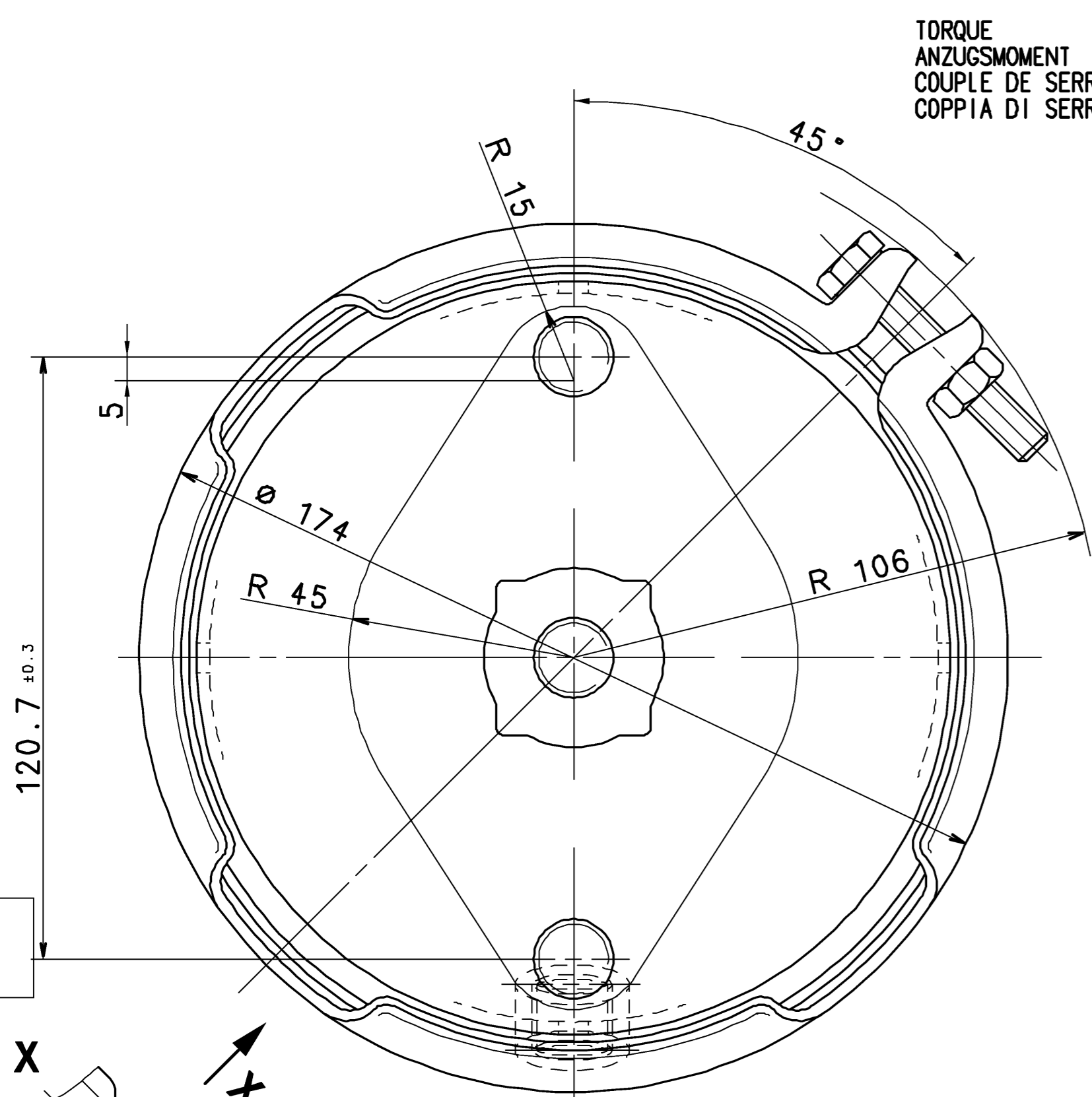


I	JED-240-3 (RAL 9005)
II	JED-256-1
III	JED-371
IV	JED-240-2

TOLE COMANCIATION DE REPRODUCTION DE CE DOCUMENT, TOUTE EXPLOITATION COMMERCIALE DE SON CONTENU, EN L'ABSENCE D'UN ACCORD PREALABLE AVEC LE SERVICE TECHNIQUE DE WABCO, EST INTERDITE. THE USE OF THIS DOCUMENT FOR REPRODUCTION OR COMMERCIAL EXPLOITATION WITHOUT THE WRITTEN PERMISSION OF WABCO IS PROHIBITED.



TO BE INSTALLED WITH LOWER BREATHER HOLE OPEN
 IM EINBAUZUSTAND UNTERE ATMUNGSBOHRUNG GEOEFFNET
 A MONTER AVEC LE RENIFLARD INFÉRIEUR OUVERT
 INSTALLAZIONE: CON IL FORO DI SFIATO INFERIORE APERTO

THEORETICAL SWIVEL POINT OF THE PUSH ROD
 THEOR. SCHWENKPUNKT DER DRUCKSTANGE
 CENTRE D'ARTICULATION THEORIQUE DE LA TIGE
 CENTRO D'ARTICOLAZIONE TEORICO DELL'ASTA

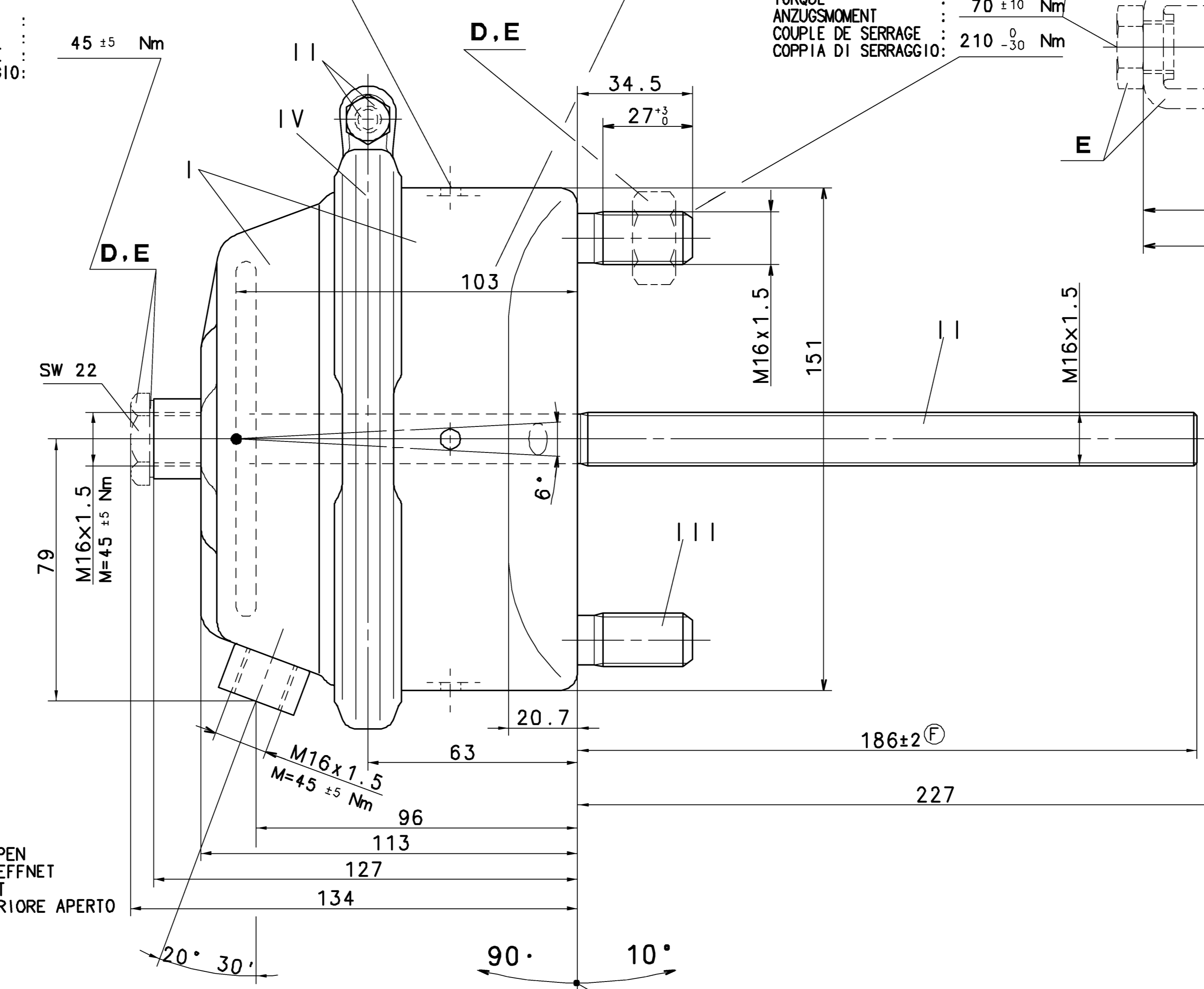
OPEN BREATHER HOLES
 OFFEN ATMUNGSBOHRUNG 4x∅6
 OUVERT TROU RENIFLEUR
 APERTO FORO RESPIRATORE

TORQUE
 ANZUGSMOMENT
 COUPLE DE SERRAGE
 COPPIA DI SERRAGGIO:

45 ± 5 Nm

TORQUE
 ANZUGSMOMENT
 COUPLE DE SERRAGE
 COPPIA DI SERRAGGIO:

70 ± 10 Nm
 210⁰₋₃₀ Nm



ADMISSIBLE INSTALLATION POSITION
 ZULÄSSIGE EINBAULAGE
 POSITION D'INSTALLATION ADMISE
 POSIZIONE DI MONTAGGIO AMMESSA

BY-PACKING : D 423 000 534 2 ON SPECIAL ORDER ONLY
 BEIPACK : NUR AUF BESTELLUNG
 PAQUET JOINT : E 423 000 535 2 SUR COMMANDE SEULEMENT
 PACKO RIUNCHIUSO: SU ORDINAZIONE SOLAMENTE

STROKE:
 HUB : min. 75 mm
 COURSE :
 CORSA :

MIN. FORCE OF RETURN SPRING : 150 N
 MIN. RUECKSTELTKRAFT DER FEDER : 150 N
 EFFORT MINI. DU RESSORT DE RAPPEL : 150 N
 FORZA MIN. DELLA MOLLA RITORNO : 150 N

EXTERNAL STROKE LIMIT
 HUBBEGRENZUNG EXTERN
 LIMITE DE COURSE EXTERNE
 LIMITAZIONE DI CORSA ESTERNO

THERMAL RANGE OF APPLICATION : -40 °C..+80 °C
 THERMISCHER ANWENDUNGSBEREICH : -40 °C..+80 °C
 GAMME D'APPLICATION THERMIQUE : -40 °C..+80 °C
 CAMPO DI APPLICAZIONE TERMICA : -40 °C..+80 °C

MEDIUM : AIR
 MEDIUM : LUFT
 FLUIDE : AIR
 FLUIDO : ARIA

SERVICE PRESSURE : Pe max. = 8.5 bar
 BETRIEBSDRUCK : Pe max. = 8.5 bar
 PRESSION DE SERVICE : Pe max. = 8.5 bar
 PRESSIONE DI ESERCIZIO : Pe max. = 8.5 bar
 (TEMPORARILY) : Pe max. = 10 bar
 (KURZZEITIG) : Pe max. = 10 bar
 (DE COURTE DUREE) : Pe max. = 10 bar
 (BREVE TEMPO SOLO) : Pe max. = 10 bar

GENERAL SPECIFICATION: JED-334		DATE: 94-11-10		SIGNATURE: Müller	
FURTHER TECHNICAL DATA:		DRAWN: Müller		CHECKED: Pantzer	
DOC. CODE: SHEET: 10		STANDARDIZATION: 94-11-10		PRODUCT IDENTIFICATION NO. 423 105 900 0	
GENERAL TOLERANCES		CLASS 1)		SCALE: 1:1	
RANGE OF NOMINAL DIMENSIONS (± mm)		CLASS 1)		SIZE: A 1	
≤50		±0.1		SHAPE CODE	
50-180		±0.15		REPLACEMENT FOR	
180-400		±0.2		1/1	
>400		±0.3		8115	
FINE		0.5		EXPERT CODE	
MEDIUM		1.0		PRODUCT TYPE	
COARSE		2.0			
TAPPED HOLES ACC. 150 4039 / JED-152		067306			
1) TOLERANCE CLASS APPLIED CROSSMARKED		067306			
DOH-NO.		REV.		DATE	

1008/016/204_83
 851/653