

AT FAILURE CIRCUIT 1 : NECESSARY COURSE
 BEI AUSFALL KREIS 1 : ERFORDERLICHER WEG
 EN CAS DE DEFAILLANCE : COURSE NECESSAIRE
 CIRCUIT 1
 IN CASO DI DIFETTO : CORSA NECESSARIA
 CIRCUITI 1

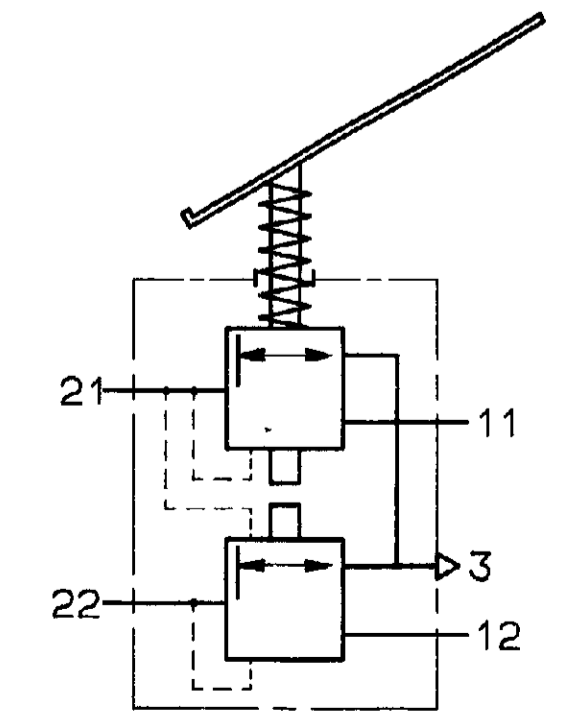
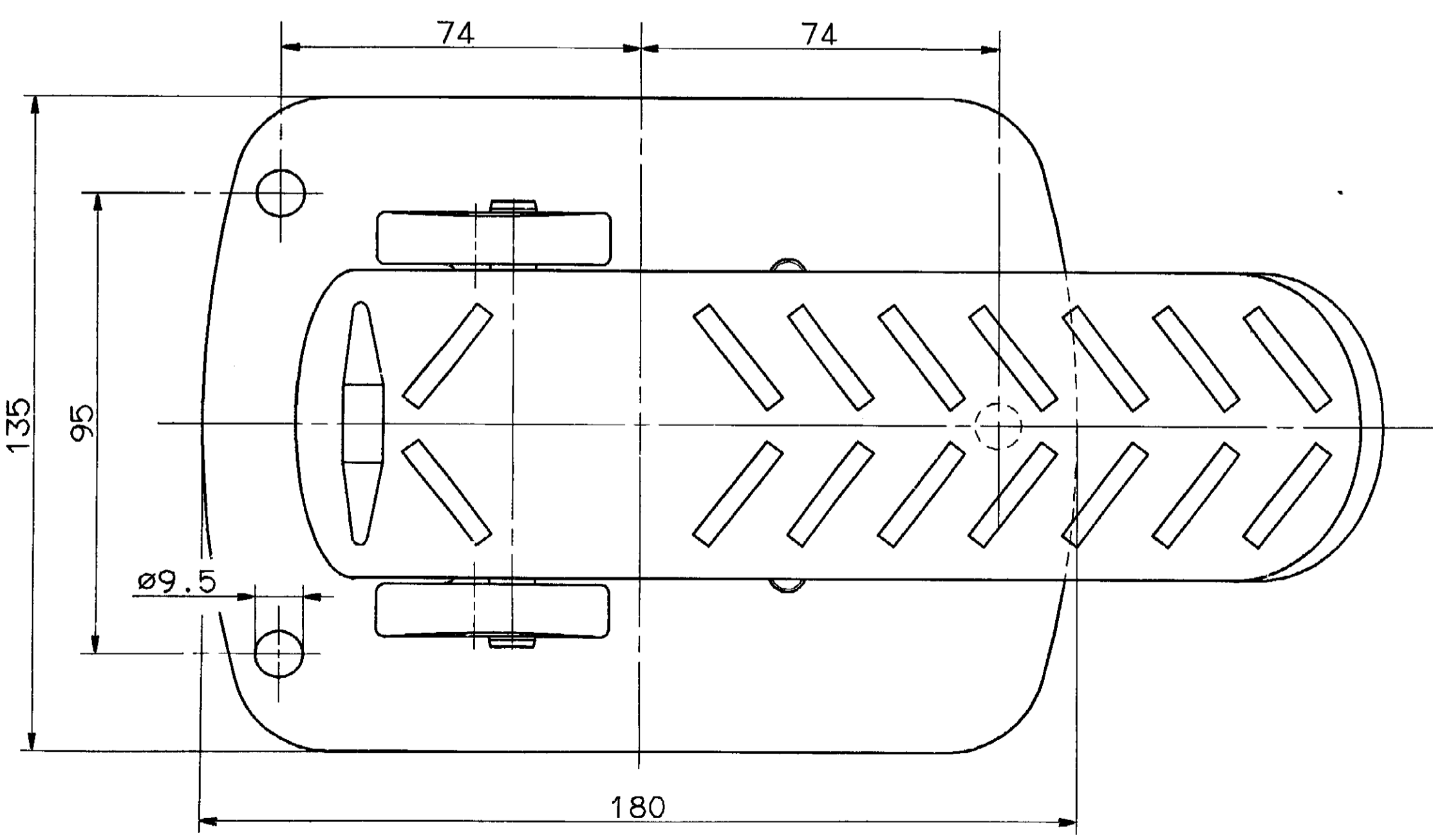
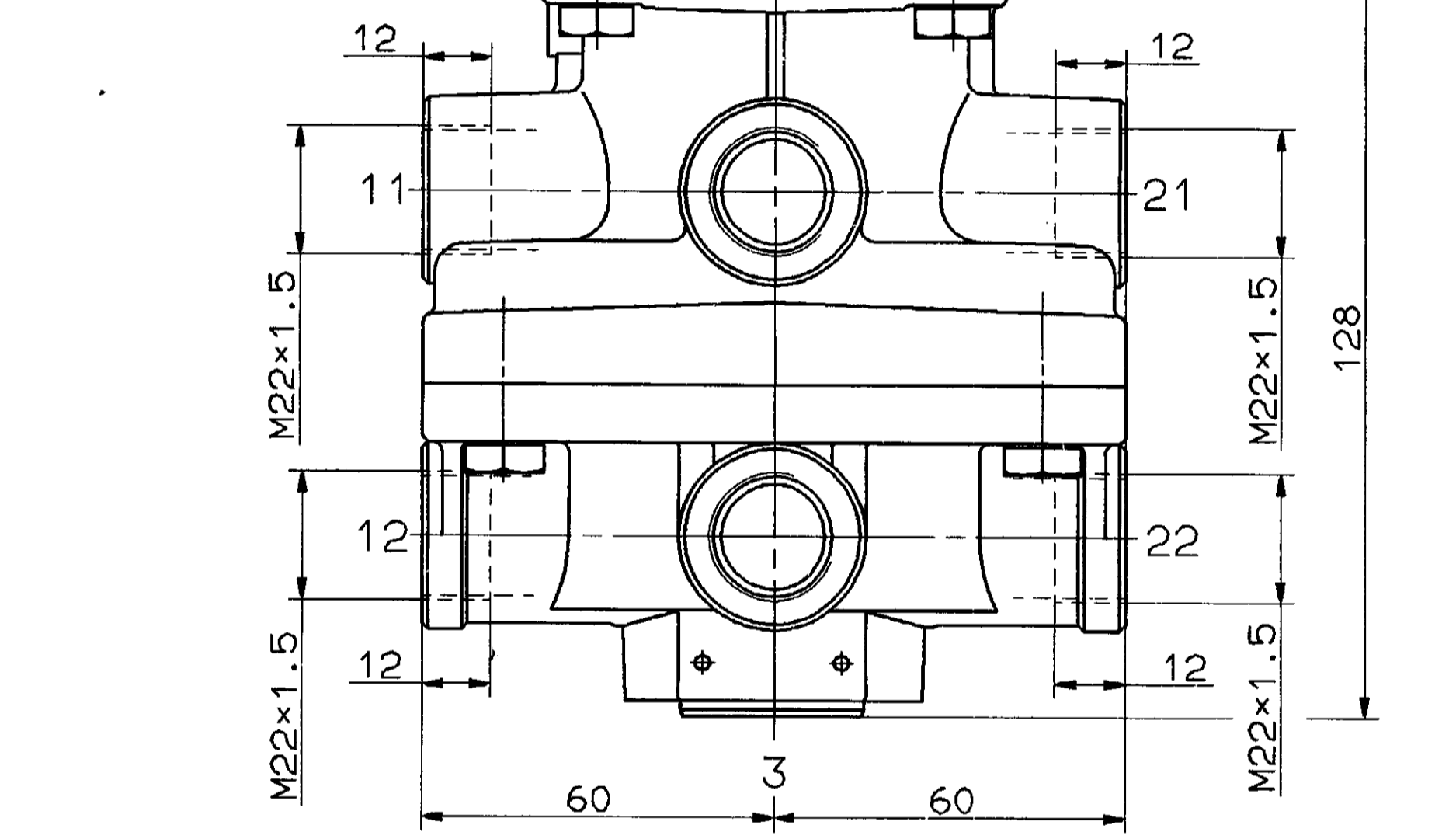
11/12 SUPPLY VORRAT ALIMENTATION ALIMENTAZIONE
 21/22 OUTLET AUSGANG SORTIE USCITA
 3 EXHAUST ENTLUEFTUNG ECHAPPEMENT SCARICO

MEDIUM: AIR MEDIUM: LUFT FLUIDE: AIR FLUIDO: ARIA
 NOMINAL DIAMETER : NENNWEITE DIAMETRE NOMINAL : 113 mm² ≈ ø12 DIAMETRO NOMINALE:

MAX. WORKING PRESSURE : MAX. BETRIEBSDRUCK PRESSION D'UTILISATION MAXI : p_e = 8 bar PRESSIONE DI ESERCIZIO MAX.:

THERMAL RANGE OF APPLICATION : THERM. ANWENDUNGSBEREICH GAMME D'APPLICATION THERMIQUE : -40°C...+80°C CAMPO DI APPLICAZIONE TERMICA:

INSTALLATION POSITION: EXHAUST SHOWN AT BASE (AXIS CENTRE OF THE DEVICE DEVIATES MAX. 90° FROM VERTICAL)
 EINBAULAGE: ENTLUEFTUNG NACH UNTEN (MITTELACHSE DES GERAETES MAX. 90° VON DER SENKRECHTEN ABWEICHEND)
 POSITION D'INSTALLATION: ECHAPPEMENT VERS LE BAS (ECART DE L'AXE MEDIAN DE L' APPAREIL PAR RAPPORT A LA RAPPORT A LA VERTICALE: 90° MAX.)
 POSIZIONE DI MONTAGGIO: SCARICO VERSO IL BASSO (DEVIAZIONE ASSE APPARECCHIO RISPETTO ALLA VERTICALE: MAX. 90°)



FURTHER TECHNICAL DATA SEE IDENTIFICATION NO. 1		COPYRIGHT DATE SIGNATURE		WABCO CLAYTON DWANDRE	
CODE FOR DOCUMENT: 605 SHEET: 1 TO 1		89-10-18 M.SGF		BRAKE VALVE MOTORWAGEN-BREMSVENTIL	
GENERAL TOLERANCES (± mm)		CHECKED 89-10-19 MARTINI		ROBINET DE FREINAGE DISTRIBUTORE DI COMANDO	
CLASS	RANGE OF NOMINAL DIMENSIONS	STANDARDIZATION 89-10-19 PANTER		PRODUCT IDENTIFICATION NO.	
I	0.5 1.0 1.5 2.0	MASS SCALE		461 307 200 0	
II	1.0 2.0 3.0 4.0	2.65 kg 1:1		CODE FOR DOCUMENT SHEET 605 1/1	
III	2.0 3.5 5.0 6.5	SIZE T.R.T.		REPLACEMENT FOR 461 307 200 0 OF 12-98-1978	
LAPPED HOLES ACC. ISO 4039 / JED-102		030607 1 x D 88-12-09		CODE F.PROD.-GROUP CODE FOR SHAPE 518	
1) TOLERANCE CLASS APPLIED CROSSHATCHED		DCN-NO. REV. DATE		REPLACEMENT FOR 461 307 200 0 OF 12-98-1978	
		A 1 140		EXPERT CODE 71316	