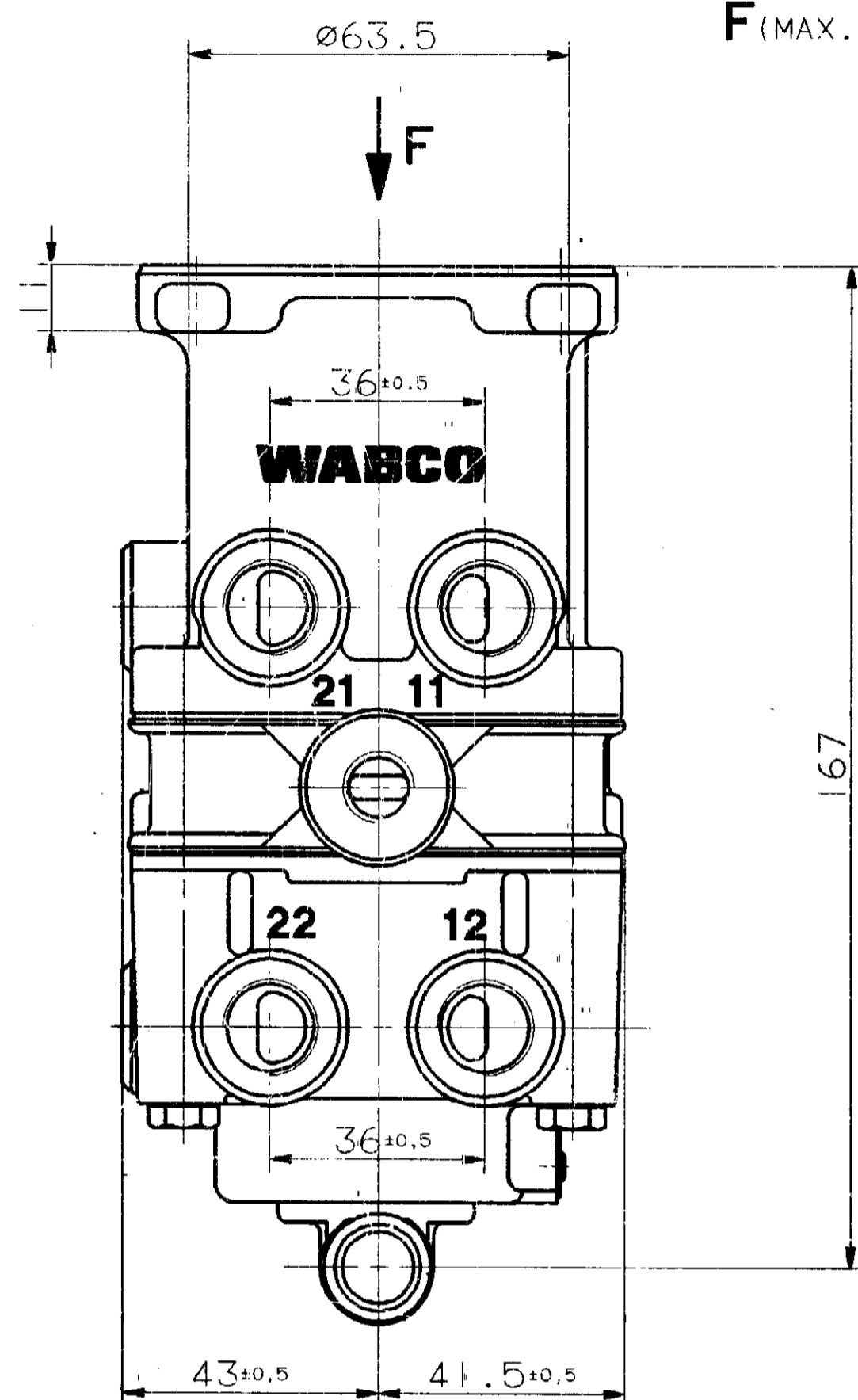
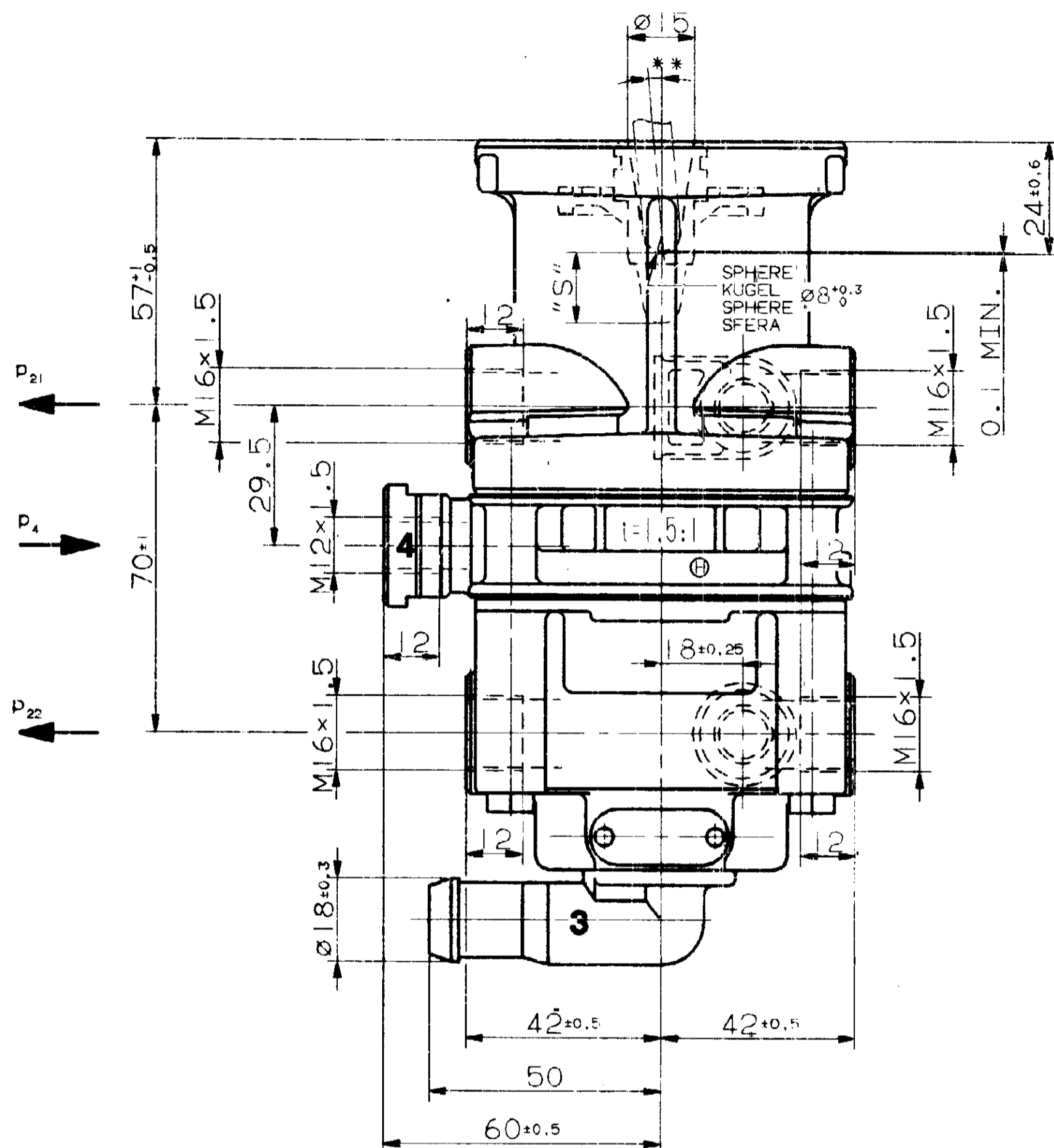
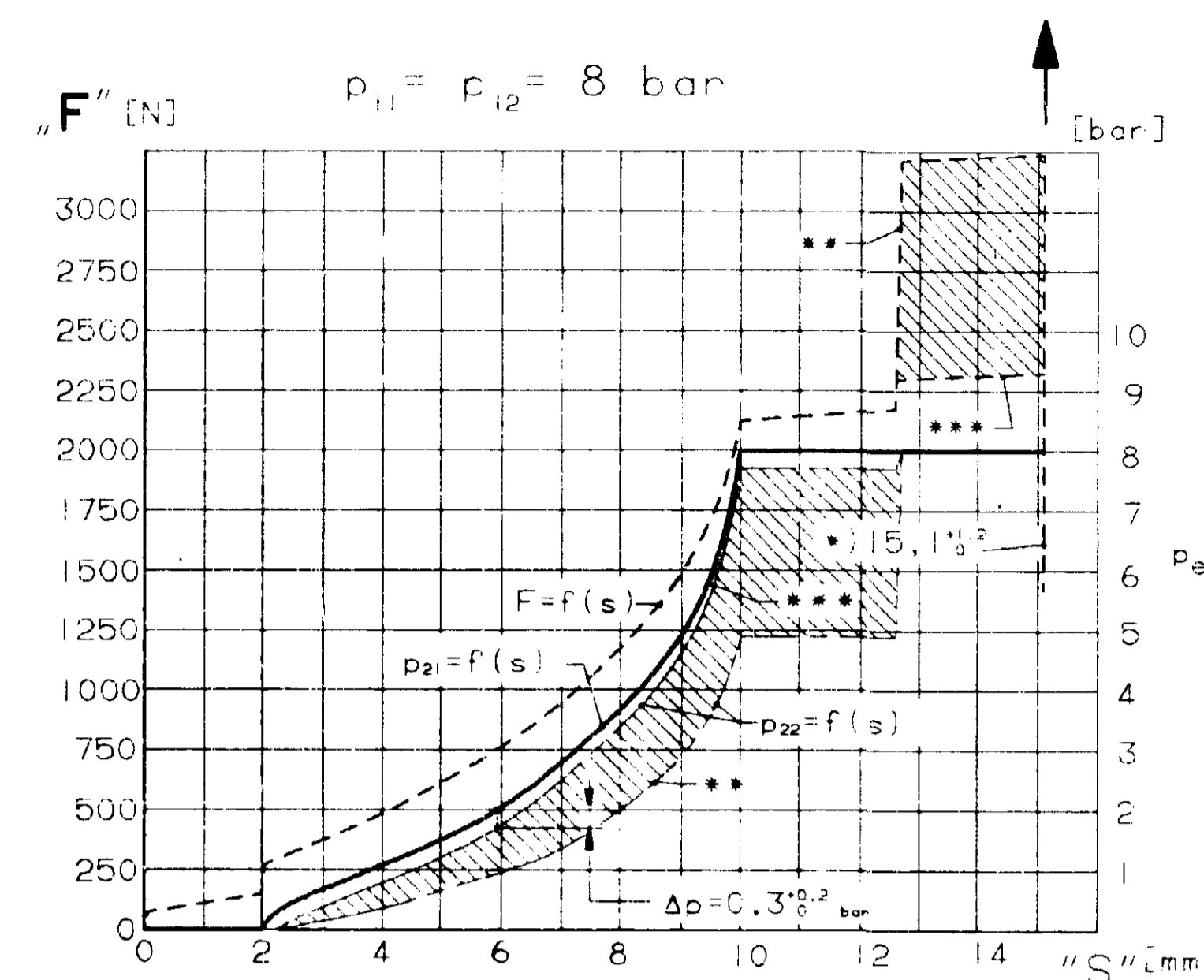


ALL ROUND
ALLSEITIG MAX. 5°
UNIVERSAL
SU CIASCUN LATO



F (MAX. ADMISSIBLE
ZULAESSIG 15000 N)
ADMISE
AMMISSIBILE



*** $t = 1.5$ AT BEI $p_4 = 0$ IN

*** AT BEI $i = 1$ EN IN

AT FAILURE CIRCUIT 1 : NECESSARY COURSE $S \geq 14 \text{ mm}$
NECESSARY FORCE $F = 3400 \text{ N}$
BEI AUSFALL KREIS 1 : ERFORDERLICHE WEG $S \geq 14 \text{ mm}$
ERFORDERLICHE KRAFT $F = 3400 \text{ N}$
EN CAS DE DEFAYLLANCE : COURSE NECESSAIRE $S \geq 14 \text{ mm}$
FORCE NECESSAIRE $F = 3400 \text{ N}$
IN CASO DI DIFETTO : CORSA NECESSARIA $S \geq 14 \text{ mm}$
FORZA NECESSARIA $F = 3400 \text{ N}$

* STOP WITHIN THE DEVICE ADMISSIBLE
ANSCHLAG IM GERAET ZULAESSIG
BUTEE DANS L'APPARAIL ADMISE
ARRESTO NEL APPARATO AMMISSIBILE

11/12 SUPPLY VORRAT ALIMENTATION ALIMENTAZIONE

21/22 OUTLET AUSGANG SORTIE USCITA

3 EXHAUST ENTLUEFTUNG ECHAPPEMENT SCARICO

4 CONTROL PORT STEUERANSCHLUSS ORIFICE DE COMANDO ORIFICIO DI COMANDO

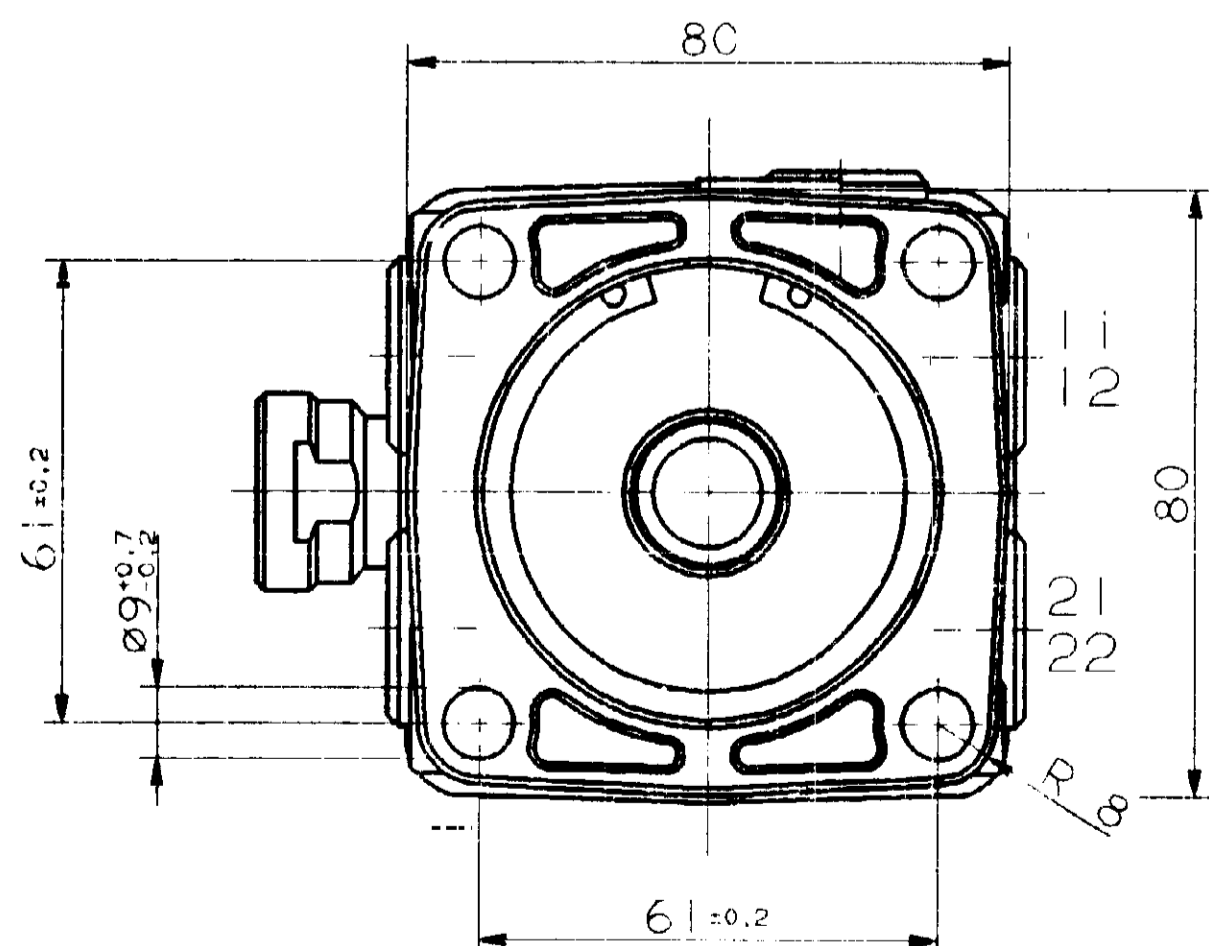
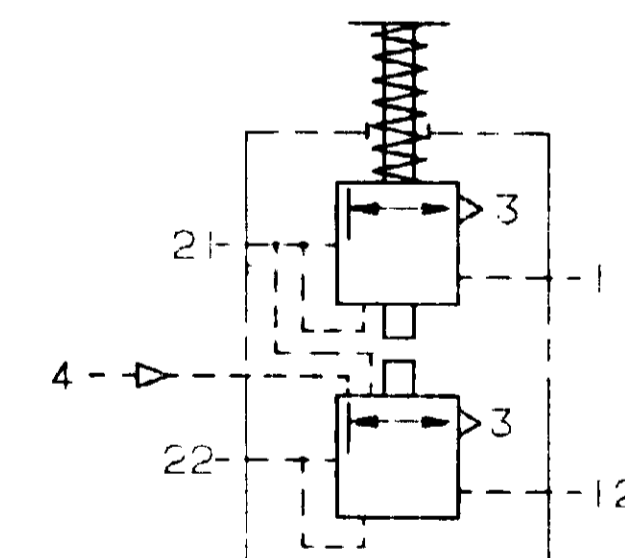
MEDIUM: AIR
MEDIUM: LUFT
FLUIDE: AIR
FLUIDO: ARIA

NOMINAL DIAMETER :
NENNWEITE :
DIAMETRE NOMINAL : $78.5 \text{ mm}^2 \pm \varnothing 10$
DIAMETRO NOMINALE :

MAX. WORKING PRESSURE :
MAX. BETRIEBSDRUCK :
PRESSION D UTILISATION MAXI : $p_e = 10 \text{ bar}$
PRESSIONE DI ESERCIZIO MAX. :

THERMAL RANGE OF APPLICATION :
THERM. ANWENDUNGSBEREICH :
GAMME D APPLICATION THERMIQUE : $-40^\circ\text{C} \dots +80^\circ\text{C}$
CAMPO DI APPLICAZIONE TERMICA :

INSTALLATION POSITION : OPTIONAL
EINBALLAGE : BELIEBIG
POSITION D INSTALLATION : INDIFFERENT
POSIZIONE DI MONTAGGIO : INDIFFERENTE



FURTHER TECHNICAL DATA SEE		DATE		SIGNATURE		COPYRIGHT	
IDENTIFICATION NO.		31.61		M. SGF		WABCO	
CODE FOR DOCUMENT ACC SHEET		99993		G. 05-23		CLAYTON DE WATKINS	
GENERAL TOLERANCES		CLASS		RANGE OF NOMINAL DIMENSIONS (mm)		BRAKE VALVE	
		A		> 50 180 400		MO/WGN-BREMSVENTIL	
				I 0.5 1.0 1.5 2.0		ROBINET DE FREINAGE	
				II 1.0 2.0 3.0 4.0		DISTRIBUTORE DI COMANDO	
				III 2.0 3.0 5.0 6.5			
TAPPED HOLES ACC. ISO 4019 / JED-150		DKN-NO		REV.		DATE	
TOLERANCE CLASS APPROX. CROSSMARKED							
		A		140		461 319 008 0	
						605	
						ORIG. OF 81-06-2k	