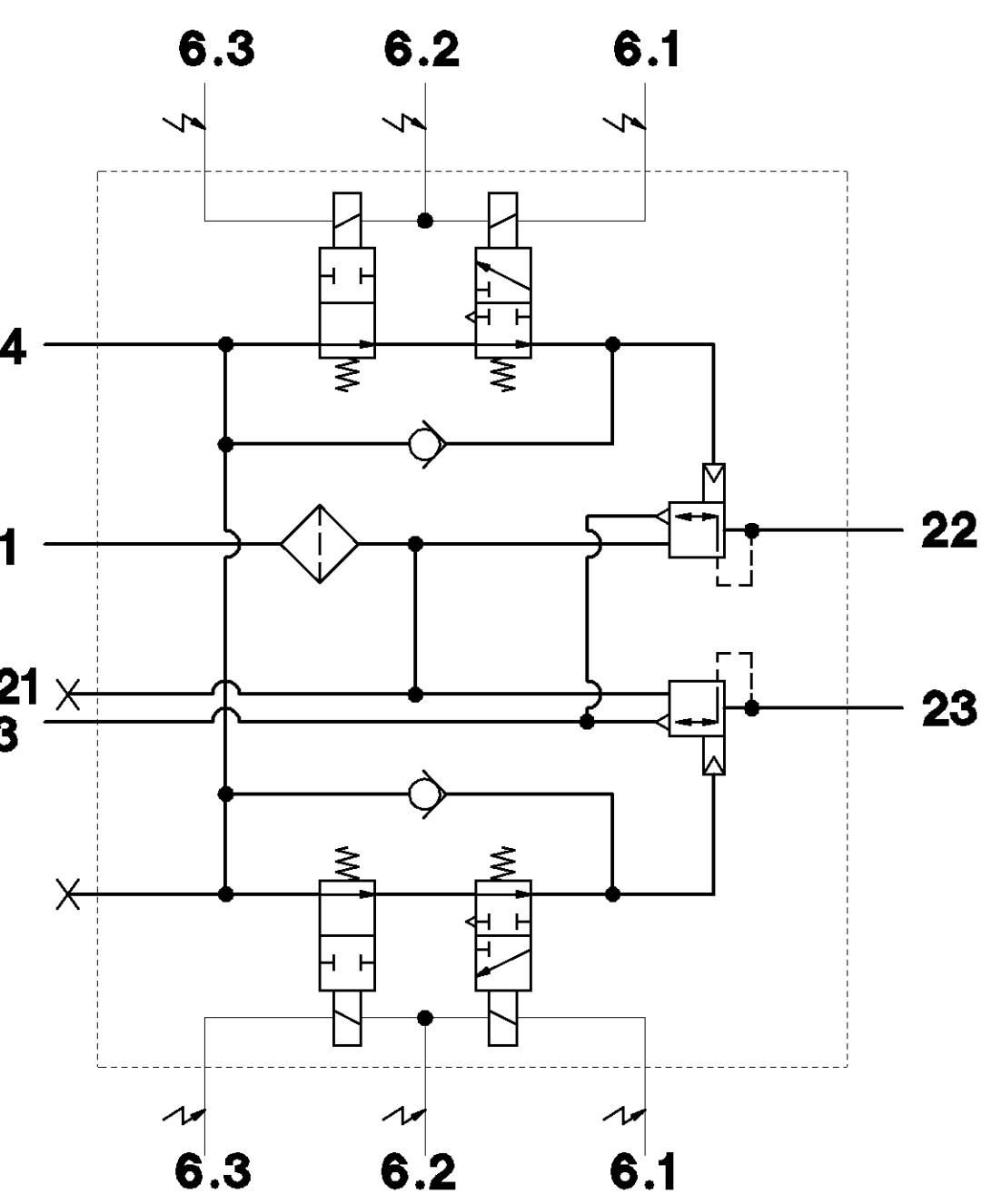
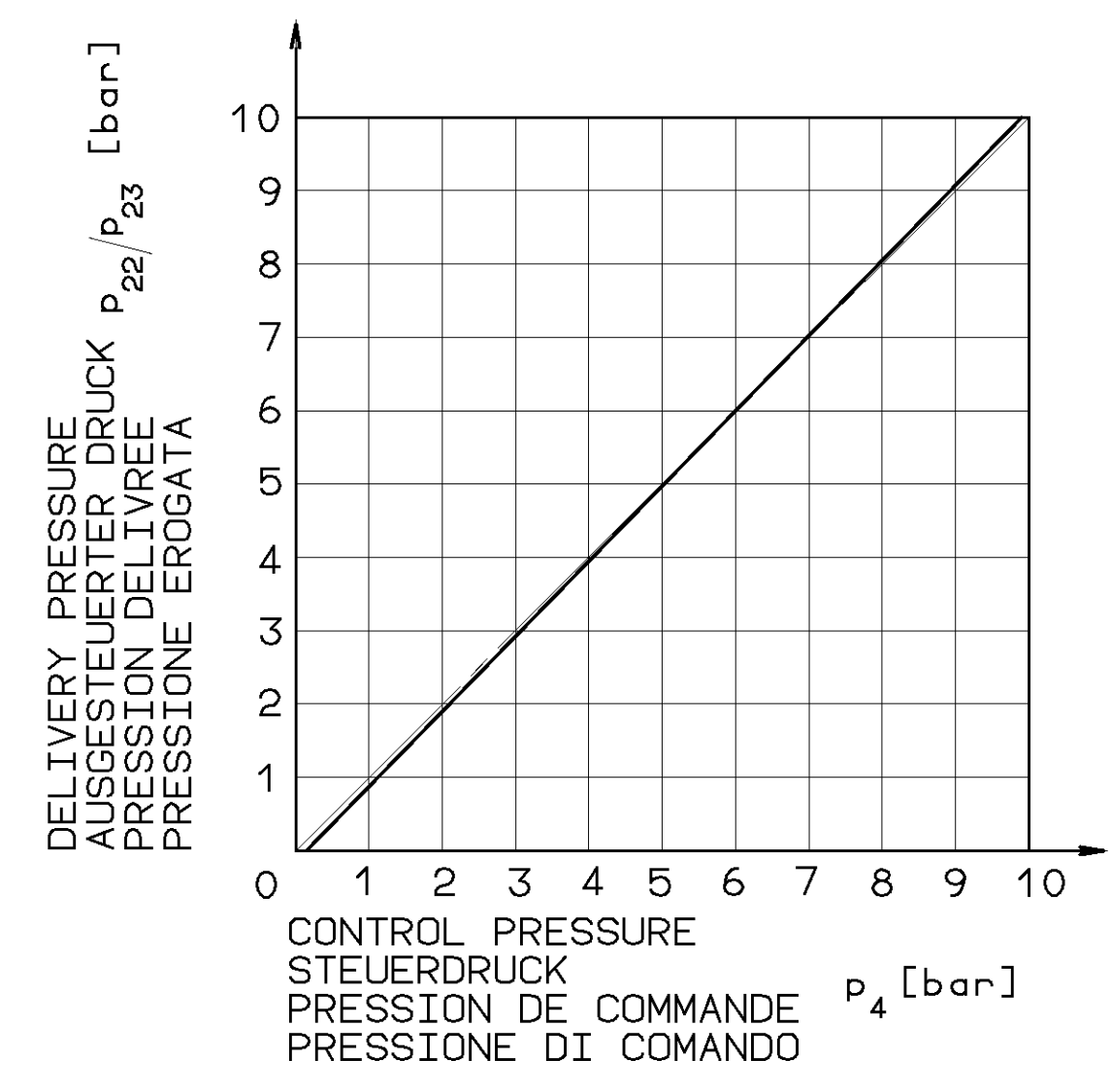


- 1** SUPPLY  
VORRAT  
ALIMENTATION  
ALIMENTAZIONE
- 21** DELIVERY OF ENERGY  
ENERGIEABFLUSS  
UTILISATION  
MANDATA
- 22** ENERGY ABFLUSS  
ENERGIEABFLUSS  
UTILISATION  
MANDATA
- 23** MANDATA
- 3** EXHAUST  
ENTLUEFTUNG  
ECHAPPEMENT  
SCARICO
- 4** CONTROL  
STEUERANSCHLUSS  
COMMANDE  
COMANDO
- 6.1** ELECTRICAL CONTROL (MAGNET)
- 6.2** ELEKTRISCHER STEUERANSCHLUSS (MAGNET)
- 6.3** COMMANDE ELECTRIQUE (AIMANT)
- 6.3** COMMANDO ELECTRICO (MAGNETE)



THE VALVE CORRESPONDS TO THE REGULATIONS FOR ELECTROMAGNETIC DEVICES ACCORDING TO VDE 0580  
 DAS GERÄT ENTSPRICHT DEN BESTIMMUNGEN FÜR ELEKTROMAGNETISCHE GERÄTE NACH VDE 0580  
 LA VALVE CORRESPOND AUX CONDITIONS POUR DES APPAREILS ELECTROMAGNETIQUES SUIVANT VDE 0580  
 LA VALVOLA CORRISPONDE ALLE CONDIZIONI PER APPARECCHI ELECTROMAGNETICHI SECONDO VDE 0580

MEDIUM MEDIUM FLUIDE FLUIDO	AIR LUFT AIR ARIA
VOLTAGE SPANNUNG VOLTAGE VOLTAGGIO	24 V
TYPE OF CURRENT STROMART NATURE DU COURANT NATURA DELLA CORRENTE	DIRECT CURRENT GLEICHSTROM COURANT CONTNU CORRENTE CONTINUA
SERVICE CONDITION BETRIEBSART CONDITION DU SERVICE CONDIZIONE DI SERVIZIO	DISCONTINUOUS SERVICE AUSSETZBETRIEB SERVICE DISCONTINUE ESERCIZIO DISCONTINUO
NOMINAL CURRENT NENNSTROM COURANT NOMINAL CORRENTE NOMINALE	1.65 A
TYPE OF PROTECTION SCHUTZART MODE DE PROTECTION TIPO DI PROTEZIONE	IP 66/69K IEC 529
PROTECTION CLASS SCHUTZKLASSE CLASSE DE PROTECTION CLASSE DI PROTEZIONE	III
WORKING PRESSURE BETRIEBSDRUCK PRESSION DE SERVICE PRESSIONE D'ESERCIZIO	MAX. p <sub>e</sub> 10bar
SUPPLY PRESSURE VORRATSDRUCK PRESSION D'ALIMENTATION PRESSIONE DI ALIMENTAZIONE	MAX. p <sub>e</sub> 13bar
THERMAL RANGE OF APPLICATION THERMISCHER ANWENDBEREICH GAMME D'APPLICATION THERMIQUE CAMPO DI APPLICAZIONE TERMICA	-40° C...+80° C
ADMISSIBLE INSTALLATION POSITION ZULAESSIGE EINBAULAGE POSITION D'INSTALLATION ADMISE POSIZIONE DI MONTAGGIO AMMESSA	±15°



SOCKET  
GERÄTESTECKDOSE  
PRISE DE COURANT  
PRESA DI CORRENTE

894 101 649 2

ELECTRICAL CONTROL  
ELEKTRISCHER STEUERANSCHLUSS  
COMMANDE ELECTRIQUE  
COMMANDO ELECTRICICO

DIN 72585  
A1-3.1-Sn/K1

FOR FURTHER TECHNICAL DATA SEE PRODUCT SPECIFICATION  
 WEITERE TECHNISCHE DATEN SIEHE PRODUKT SPEZIFIKATION  
 POUR AUTRES DONNEES TECHNIQUES VOIR PRODUCT SPECIFICATION  
 PER ULTERIORI DATI TECNICI VEDERE SPECIFICA DI PRODOTTO

472 195 041 0

TORQUE FOR CONNECTIONS  
 ANZUGSMOMENT FÜR VERSCHLUSSSCHRAUBEN  
 COUPLE DE SERRAGE DES RACCORDS  
 COPPIA DI SERRAGGIO DEI RACCORDI

M16x1.5: M<sub>max.</sub> = 34 Nm  
 M22x1.5: M<sub>max.</sub> = 53 Nm

GENERAL SPECIFICATION: JED-034		CADAM-DRAWING COPYRIGHT	
FURTHER TECHNICAL DATA:		DATE	SIGNATURE
DOC. CODE:	SHEET: TO	96-05-23	HARNISCHM
GENERAL TOLERANCES		CHECKED:	96-05-23
RANGE OF NOMINAL DIMENSIONS (± mm)		STANDARDIZATION:	
CLASS	1)	≤50	≤180
FINE	×	1,0	2,0
MEDIUM	×	2,0	3,0
COARSE	×	3,0	5,0
TAPPED HOLES ACC. ISO 4039 / JED-162		068321	3x A
1) TOLERANCE CLASS APPLIED CROSSHATCHED		DATE	98-11-10
MASS		SCALE	PRODUCT IDENTIFICATION NO.
110g		1:1	472 195 041 0
SIZE		T.R.T.	DOC. CODE
A 1		141/140	605
SHAPE CODE		REPLACEMENT FOR	
7160		012	