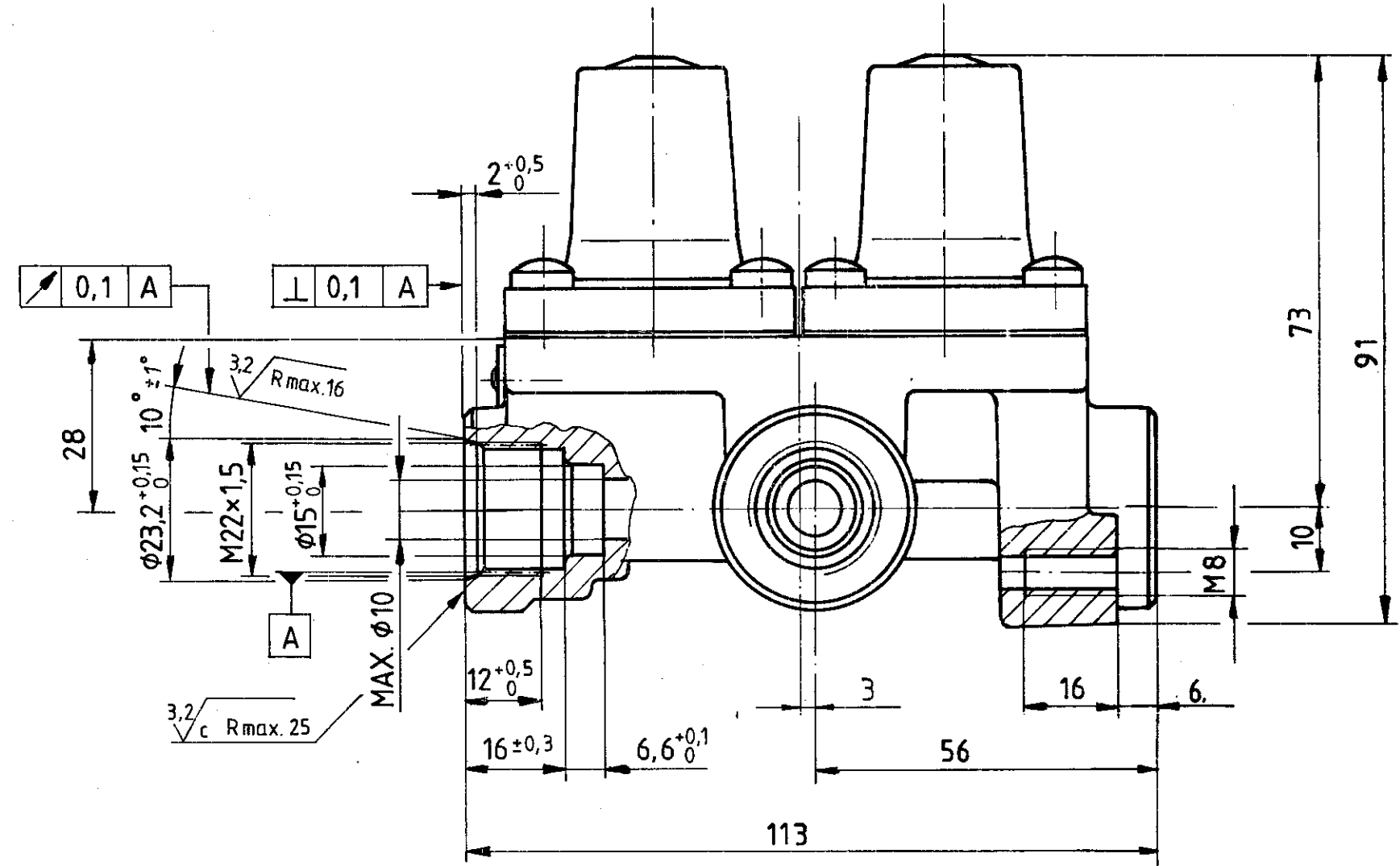
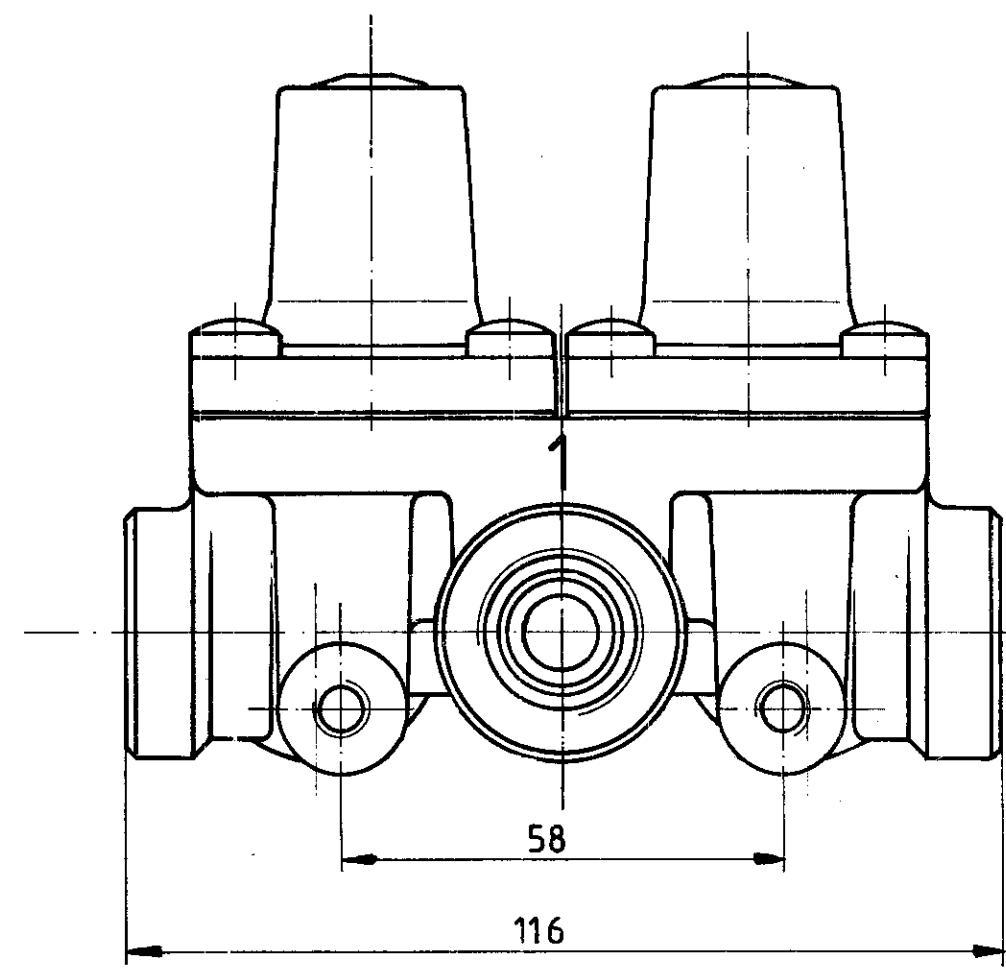


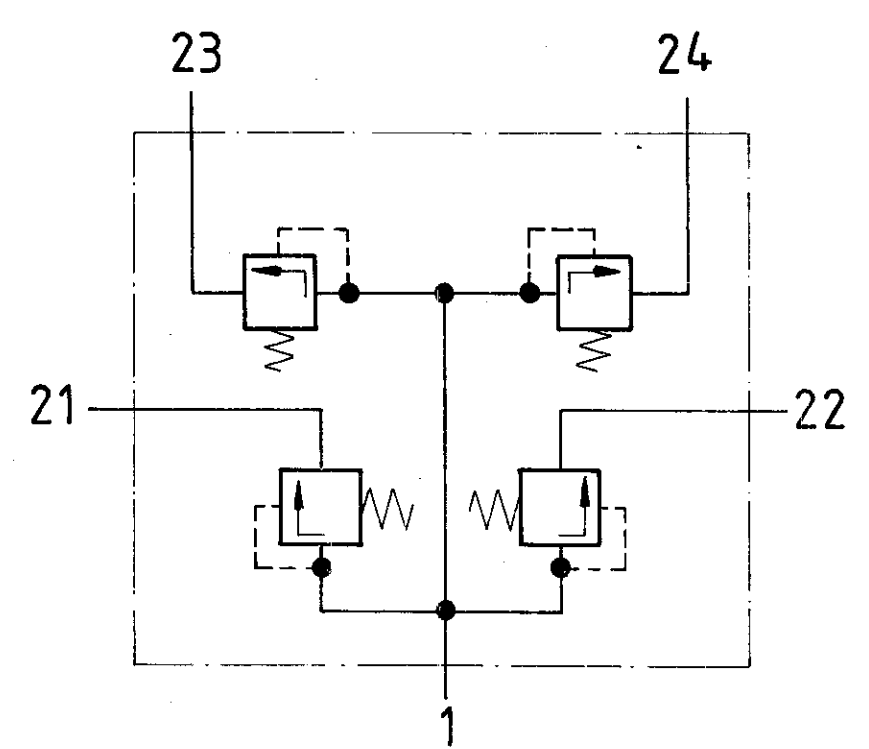
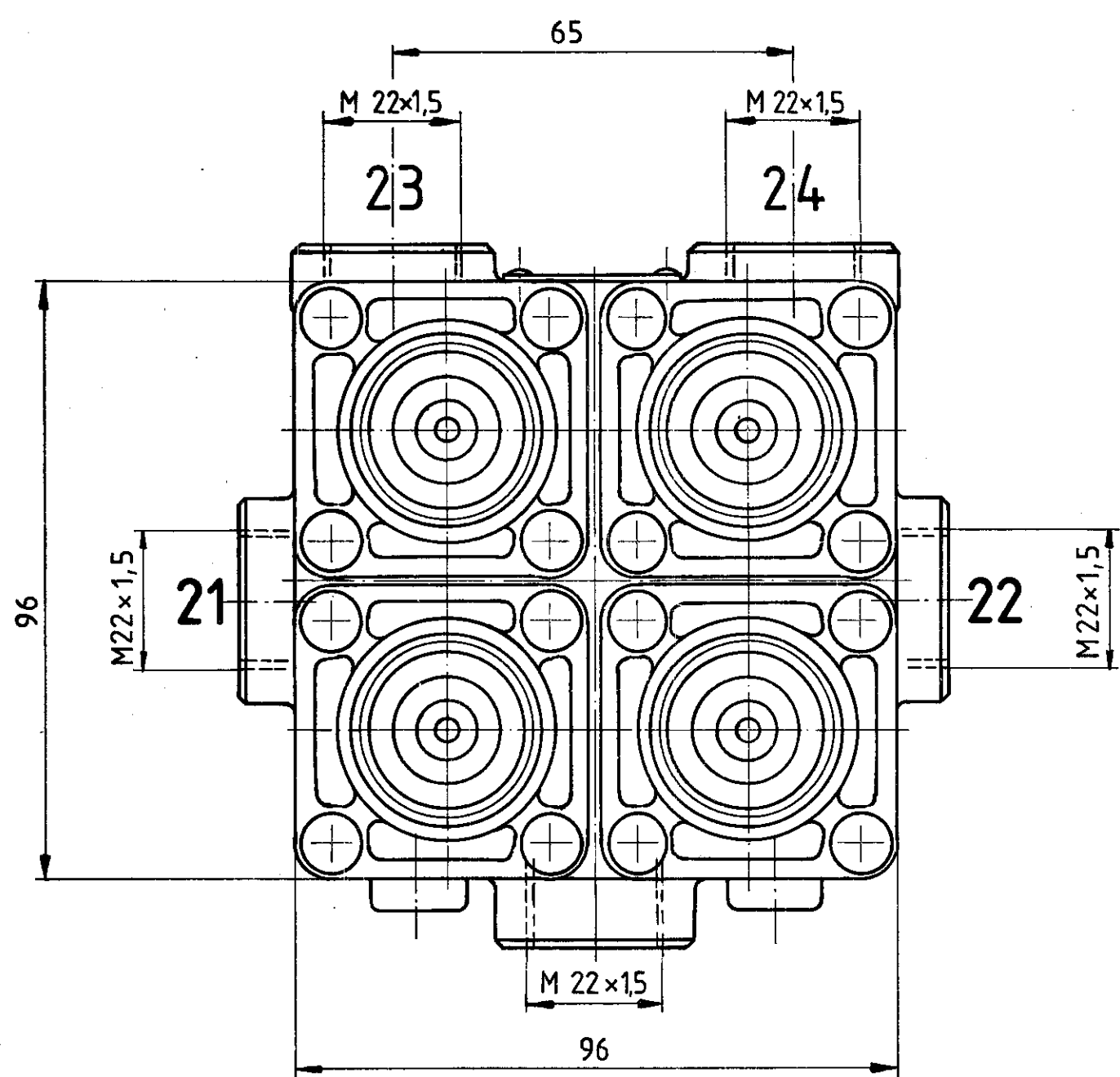
Non è permesso copiare o riprodurre questo documento, né utilizzare il contenuto o renderlo pubblico in alcun modo senza permesso scritto dalla WABCO. Ogni violazione sarà considerata un atto di infrazione e sarà punita secondo le leggi in vigore. Toute réimpression ou utilisation non autorisée sans la permission écrite de la WABCO est formellement interdite. Toute violation sera considérée comme une infraction et sera punie selon les lois en vigueur. This document is subject to copyright.



SERVICE PRESSURE :
 BETRIEBSDRUCK :
 PRESSION DE SERVICE :
 PRESSIONE D'ESERCIZIO :
 MAX. 20 bar

MEDIUM : AIR
 MEDIUM : LUFT
 MELIEU : AIR
 FLUIDO : ARIA

- CONNECTIONS : = SUPPLY
 ANSCHLUESSE : 1 = LUFTEINTRITT
 ORIFICES : = ALIMENTATION
 ORIFIZI : = ALIMENTAZIONE
- 21 = CIRCUIT 1
 = KREIS 1
 = CIRCUIT 1
 = CIRCUITO 1
- 22 = CIRCUIT 2
 = KREIS 2
 = CIRCUIT 2
 = CIRCUITO 2
- 23 = CIRCUIT 3
 = KREIS 3
 = CIRCUIT 3
 = CIRCUITO 3
- 24 = CIRCUIT 4
 = KREIS 4
 = CIRCUIT 4
 = CIRCUITO 4



| | | | | |
|---|-------|----|----|----|
| CIRCUIT KREIS CIRCUIT CIRCUITO | 21 | 22 | 23 | 24 |
| OPENING PRESSURE (bar) OEFFNUNGSDRUCK (bar) PRESSION D'OUVERTURE (bar) PRESSIONE DI APERTURA (bar) | 7,0 | | | |
| MAINTAINING PRESSURE AT SUPPLY INTO THE INTACT CIRCUITS (DEFECT CIRCUIT 0 bar) SICHERUNGSDRUCK BEI NACHFOERDERUNG IN DEN INTAKTEN KREISEN (DEFEKTER KREIS 0 bar) PRESSION DE MAINTENANCE A ALIMENTATION DU CIRCUIT INTACT (CIRCUIT DEFECT 0 bar) PRESSIONE MANTENUTA AL ALIMENTAZIONE DEL CIRCUITO INTATTO (CIRCUITO DEFETTO 0bar) | ≥ 6,7 | | | |

THERMAL RANGE OF APPLICATION FROM -40°C TO +90°C
 THERMISCHER ANWENDUNGSBEREICH VON -40°C AUF +90°C
 GAMMA D'APPLICATION THERMIQUE DE -40°C A +90°C
 CAMPO DI APPLICAZIONE TERMICA DA -40°C A +90°C

| FURTHER TECHNICAL DATA SEE | |
|--|------------------------------------|
| IDENTIFICATION No | |
| CODE FOR DOCUMENT | 605 SHEET TO |
| GENERAL TOLERANCES | |
| CLASS | RANGE OF NOMINAL DIMENSIONS (± mm) |
| I | < 50 1 1,5 2 |
| II | X 1 2 3 4 ± 3° |
| III | 2 3,5 5 6,5 |
| TAPPED HOLES ACC. ISO 4039 / JED-152 | |
| 1) TOLERANCE CLASS APPLIED CROSSMARKED | |

| | |
|--------|-----------|
| L | |
| K | |
| J | |
| H | |
| G | |
| F | |
| E | |
| D | |
| C | |
| B | |
| A | |
| DCN-No | REV. DATE |

| | |
|-----------------|--------------------|
| L'OP / RIGHT | |
| DATE | SIGNATURE |
| 86-10-13 | <i>W. Hoffmann</i> |
| DRAWN | |
| CHECKED | |
| STANDARDIZATION | |
| 86-40-29 | <i>W. Hoffmann</i> |
| MASS | SCALE 1 |
| 1,1 kg | 1:1 |
| SIZE | TR1 |
| A 2 | 140 |

| | | | |
|--|----------------|--------------------------|-------|
| WABCO | | CLAYTON DEWANDRE | |
| QUADRUPLE CIRCUIT PROTECTION VALVE VIERKREIS-SCHUTZVENTIL VALVE DE PROTECTION (A 4 CIRCUITS) VALVOLA DI PROTEZIONE (A 4 CIRC) | | | |
| PRODUCT IDENTIFICATION NO. | | CODE FOR DOCUMENT | SHEET |
| 934 702 260 0 | | 605 | 1/1 |
| CODE F. PROD. GROUP | CODE FOR SHAPE | REPLACEMENT FOR | |
| 512 | | 884 006 672 0 of 25.2.86 | |

100 mm