

SURFACE GRAINED
OBERFLAECHE GENARBT
SURFACE GRAINEE
SUPERFICIE GRANULATA

JED-533.063

COLOUR :
FARBE :
COLOR :
COLORE :
RAL 9011

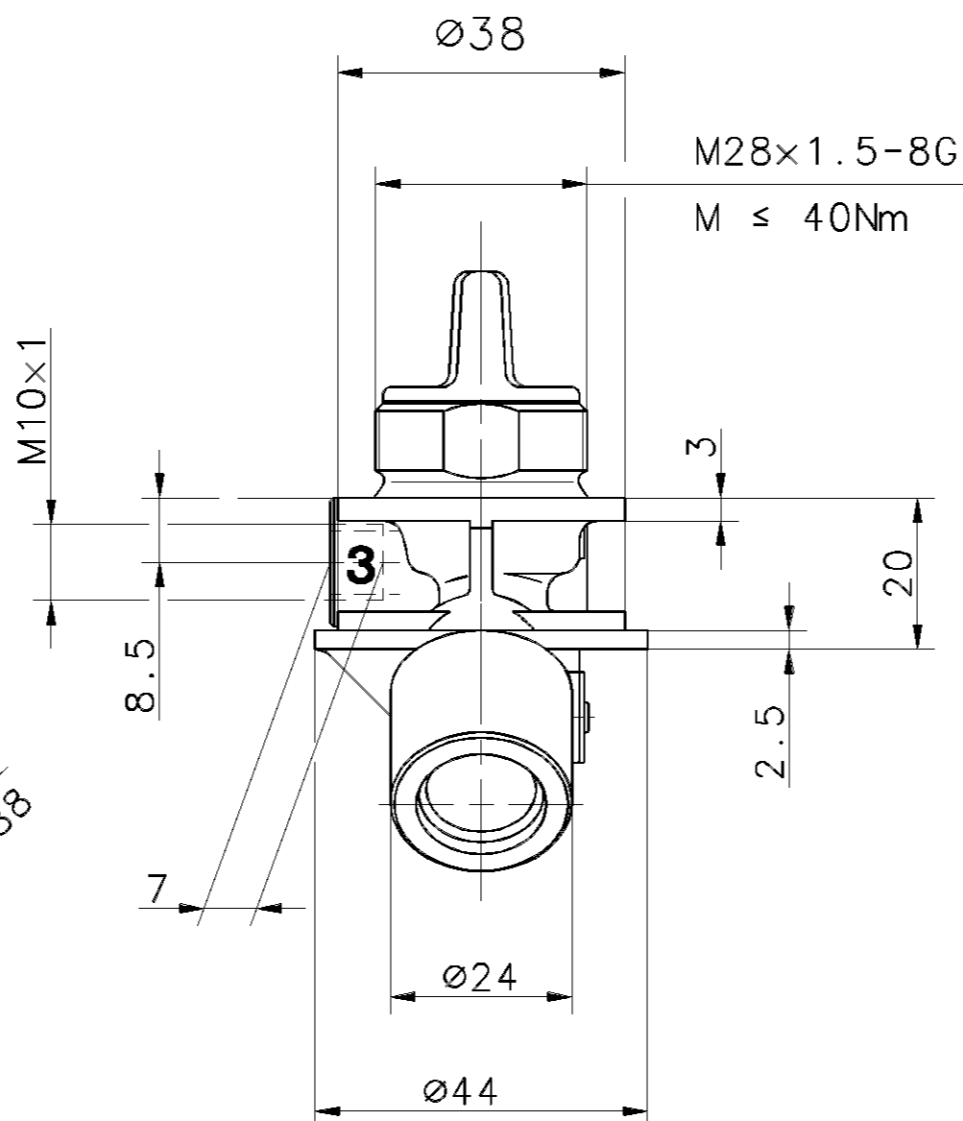
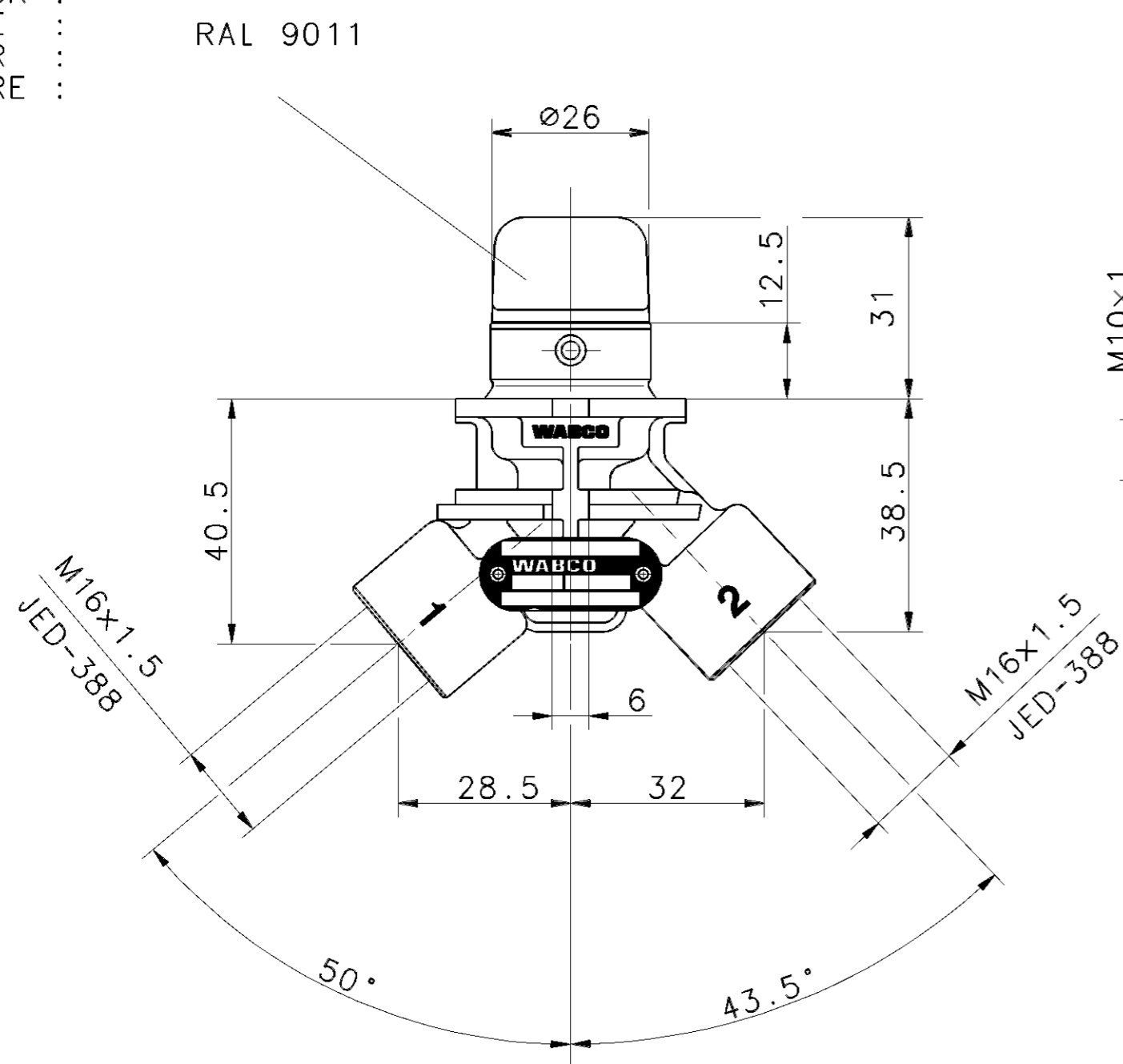
THERMAL RANGE OF APPLICATION :
THERMISCHER ANWENDUNGSBEREICH : -25°C ... +80°C
GAMME D'APPLICATION THERMIQUE :
CAMPO DI APPLICAZIONE TERMICA :

NOMINAL DIAMETER :
NENNWEITE :
DIAMETRE NOMINAL : MIN. 12.6 mm² ($\hat{=}$ Ø4mm)
DIAMETRO NOMINALE :

MAX. PERMISSIBLE WORKING PRESSURE :
MAX. ZULAESSIGER BETRIEBSDRUCK : $p_e = 10$ bar
PRESSION D'UTILIZATION MAXI ADMISSIBLE :
PRESSIONE DI ESERCIZIO MAX. AMMISSIBILE :

OPERATING TORQUE :
DREHMOMENT ZUR BETAETIGUNG :
COUPLE DE COMMANDE : 0.4 Nm
COPPIA DI COMANDO :

MEDIUM : AIR
MEDIUM : LUFT
FLUIDE : AIR
FLUIDO : ARIA



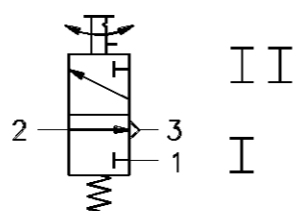
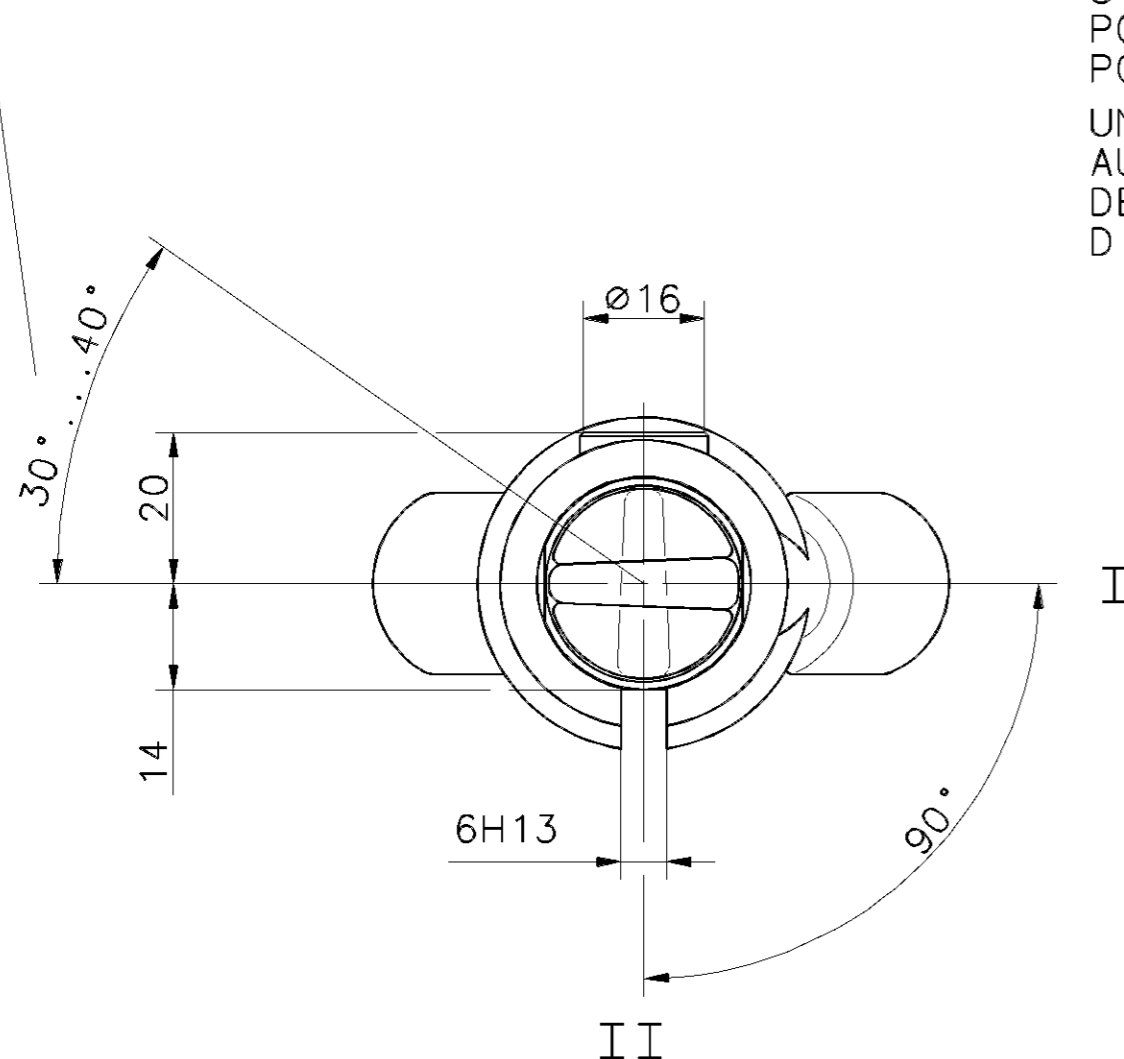
1 SUPPLY OF ENERGY FROM THE RESERVOIR
ENERGIEZUFUSS VOM VORRAT
CHARGE D'ENERGIE DU RESERVOIR
ALIMENTAZIONE DI ENERGIA DAL SERBATOIO

2 DELIVERY
ENERGIEABFLUSS IN DIE ARBEITSLEITUNG
UTILISATION
MANDATA

3 EXHAUST
ENTLUEFTUNG
ECHAPPEMENT
SCARICO

BEGINNING OF PRESSURIZING
BELUEFTUNGSBEGINN
DEDUT D'ALIMENTATION
INIZIO DI ALIMENTAZIONE

POSITION : LOCKED
STELLUNG : GERASTET
POSITION : VERROUILLEE
POSIZIONE : INCASTRATA
UNLOCKED : AUTOMATIC RETURN TO POSITION
AUSGERASTET : AUTOMATISCHE RUECKFUEHRUNG IN STELLUNG
DEVEROUILLEE : RETOUR AUTOMATIQUE A LA POSITION
DISINCASTRATO : RITORNO AUTOMATICO ALLA POSIZIONE



GENERAL SPECIFICATION:		JED-334	
FURTHER TECHNICAL DATA:			
DOC. CODE:		SHEET: TO	
GENERAL TOLERANCES			
CLASS 1)	RANGE OF NOMINAL DIMENSIONS (± mm)		
	≤50	> 50 ≤180	>180 ≤400 >400
FINE	0,5	1,0	1,5 2,0
MEDIUM X	1,0	2,0	3,0 4,0
COARSE	2,0	3,5	5,0 6,5
TAPPED HOLES ACC. ISO 4039 / JED-152		072722	xJ 01-06-11
1) TOLERANCE CLASS APPLIED CROSSMARKED		DCN-NO.	REV. DATE

CADAM-DRAWING COPYRIGHT		WABCO	
DATE SIGNATURE		DRAWN: 01-06-11/VOGES	
CHECKED:		STANDARDIZATION:	
MASS	SCALE	PRODUCT IDENTIFICATION NO.	
KG	1:1	463 036 005 0	
SIZE	I.R.I.	DOC. CODE	SHEET
A 2	140	605	1/1
SHAPE CODE		REPLACEMENT FOR	
A 2 140		463 036 005 0/82-06-09	