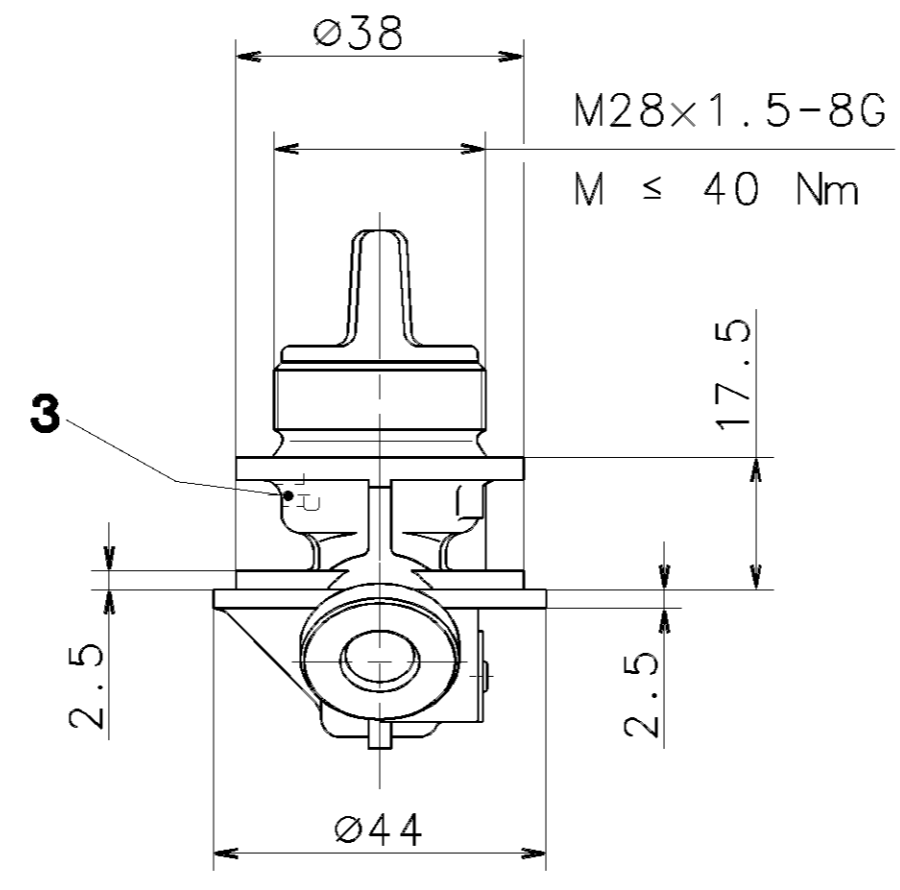
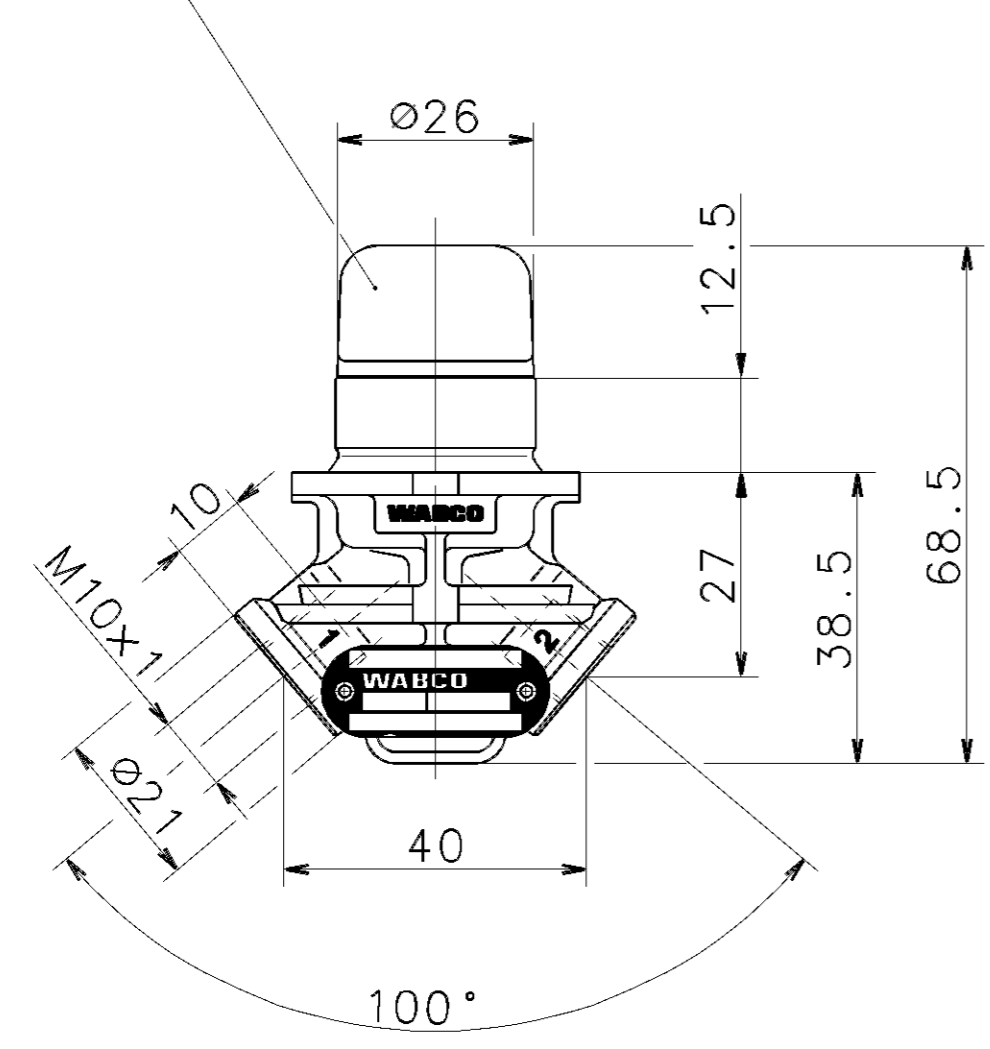


SURFACE GRAINED
 OBERFLAECHE GENARBT
 SURFACE GRAINEE
 SUPERFICIE GRANULATA

JED-533.063

COLOUR :
 FARBE : RAL 9011
 COLOR :
 COLORE :



THERMAL RANGE OF APPLICATION :
 THERMISCHER ANWENDUNGSBEREICH : -25°C ... +80°C
 GAMME D'APPLICATION THERMIQUE :
 CAMPO DI APPLICAZIONE THERMICA :
 NOMINAL DIAMETER :
 NENNWEITE : MIN. 12.6mm² (±04mm)
 DIAMETRE NOMINAL :
 DIAMETRO NOMINALE :
 MAX. PERMISSIBLE WORKING PRESSURE :
 MAX. ZULAESSIGER BETRIEBSDRUCK : p_e = 10 bar
 PRESSION D'UTILIZATION MAXI ADMISSIBLE :
 PRESSIONE DI ESERCIZIO MAX. AMMISSIBLE :
 OPERATING TORQUE :
 DREHMOMENT ZUR BETAETIGUNG : 0.4 Nm
 COUPLE DE COMMANDE :
 COPPIA DI COMANDO :

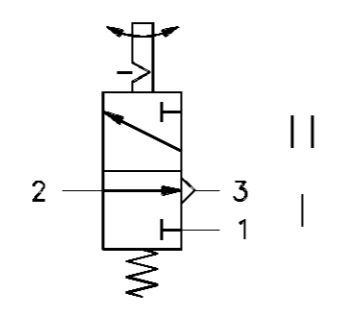
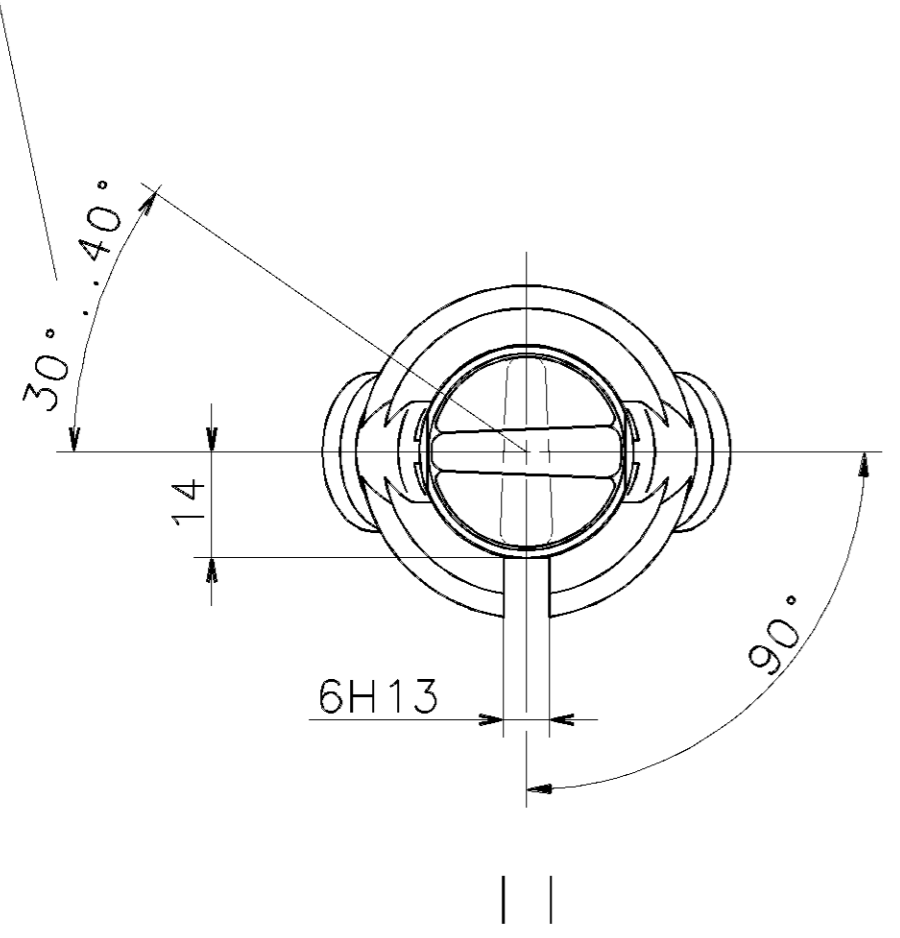
AMBIENT MEDIUM : AIR (CONTAINING WATER, DUST AND OIL)
 UMGEBUNGSMEDIUM : LUFT (WASSER, STAUB- UND OELHALTIG)
 FLUIDE AMBIANT : AIR (HUMIDE, HUILEUX, POUSSIERS)
 FLUIDO AMBIENTE : ARIA (ACQUA, POLVERE E OLIO INQUINATO)
 WORKING MEDIUM : AIR (CONTAINING WATER AND OIL)
 ARBEITSMEDIUM : LUFT (WASSER- UND OELHALTIG)
 FLUIDE D'UTILISATION : AIR (HUMIDE ET POUSSIERS)
 FLUIDO DI ESERCIZIO : ARIA (ACQUA E OLIO INQUINATO)

INSTALLATION POSITION : OPTIONAL
 EINBAULAGE : BELIEBIG
 POSITION D'INSTALLATION : A VOLONTE
 POSIZIONE DI MONTAGGIO : A SCELTA

POSITION : LOCKED
 STELLUNG : GERASTET
 POSITION : VERROUILLEE
 POSIZIONE : INCASTRATA
 UNLOCKED : AUTOMATIC RETURN TO POSITION
 AUSGERASTET : AUTOMATISCHE RUECKFUEHRUNG IN STELLUNG
 DEVEROUILLEE : RETOUR AUTOMATIQUE A LA POSITION
 DISINCASTRATO : RITORNO AUTOMATICO ALLA POSIZIONE

- 1 SUPPLY OF ENERGY FROM THE RESERVOIR
 ENERGIEZUFLUSS VOM VORRAT
 CHARGE D'ENERGIE DU RESERVOIR
 ALIMENTAZIONE DI ENERGIA DAL SERBATOIO
- 2 DELIVERY
 ENERGIEABFLUSS IN DIE ARBEITSLEITUNG
 UTILISATION
 MANDATA
- 3 EXHAUST
 ENTLUEFTUNG
 ECHAPPEMENT
 SCARICO

BEGINNING OF PRESSURIZING
 BELUEFTUNGSBEGINN
 DEBUT D'ALIMENTATION
 INIZIO DI ALIMENTAZIONE



GENERAL SPECIFICATION: JED-334		CADAM-DRAWING COPYRIGHT		WABCO	
FURTHER TECHNICAL DATA:		DATE: 01-06-11	SIGNATURE: VOGES	DRAWN: VOGES	
DOC. CODE: SHEET: TO		CHECKED: DIEKMEYER		3/2 DIRECTIONAL CONTROL VALVE	
GENERAL TOLERANCES		STANDARDIZATION:		3/2 WEGEVENTIL	
CLASS 1)	RANGE OF NOMINAL DIMENSIONS (± mm)	PRODUCT IDENTIFICATION NO.		DISTRIBUTEUR 3/2	
	≤50 >50 ≤180 >180 ≤400 >400	463 036 000 0		DISTRIBUTORE 3/2	
FINE	0,5 1,0 1,5 2,0	MASS: 0.25 KG	SCALE: 1:1	DOC. CODE: 605	SHEET: 1/1
MEDIUM	1,0 2,0 3,0 4,0	SIZE: A 2		REPLACEMENT FOR: 463 036 000 0/28-11-75	
COARSE	2,0 3,5 5,0 6,5	TAPPED HOLES ACC. ISO 4039 / JED-152		SHAPE CODE	
TAPED HOLES ACC. ISO 4039 / JED-152		072722	xM 01-06-11	REPLACEMENT FOR	
1) TOLERANCE CLASS APPLIED CROSSMARKED		DCN-NO.	REV.	DATE	
				EXPERT CODE 7119	

NON E' PERMESSO CONSERVARE A TERZI O RIPRODURRE QUESTO DOCUMENTO. NE UTILIZZARNE IL CONTENUTO O RENDERSI RESPONSABILI PER QUALSIASI DANNI, PERDITE O GUASTI. TUTTI I DIRITTI RISERVATI DA WABCO E COMPARTI. IL RISARCIMENTO DEI DANNI SUBITI E' FATTA A RISERVA DI TUTTI I DIRITTI DERIVANTI DA BREVETTI O MODELLI.
 COPIING OF THIS DOCUMENT AND CIRCULATING IT TO OTHERS AND THE USE OF COMMUNICATION OF THE CONTENTS THEREOF, WITHOUT THE WRITTEN PERMISSION OF WABCO, IS PROHIBITED. ALL RIGHTS ARE RESERVED IN THE EVENT OF THE ABUSE AND RESULT IN A LIABILITY TO THE PAYMENT OF DAMAGES. ALL RIGHTS ARE RESERVED IN THE EVENT OF THE ABUSE AND RESULT IN A LIABILITY TO THE PAYMENT OF DAMAGES.
 TOILE COMMUNICATION OU REPRODUCTION DE CE DOCUMENT, TOUTE EXPLOITATION OU COMMUNICATION DE SON CONTENU, SANS LA PERMISSE CONSECUTIVE A TERZI, O A REPRODUIRE, CE DOCUMENT, NE UTILISER NE LE CONTENU, O RENDRE RESPONSABLES POUR QUALSIQUANS DANNI, PERDITE, O DEFAUTS. TOUTS DROITS DE PROPRIETE INDUSTRIELLE RESERVES. NOTAMMENT EN MATIERE DE BREVETS ET DE MODELES.
 WELLEGABE SOWIE VERLEI FAEHLTIGUNG DIESER UNTERLAGE, WERBETUNG UND MITTEILUNG IHRES INHALTS NICHT OHNE SCHRIFTLICHE ZULASSUNG VON WABCO. ALLE RECHTE SIND VORBEHALTEN. ALLE RECHTE SIND VORBEHALTEN. ALLE RECHTE SIND VORBEHALTEN. ALLE RECHTE SIND VORBEHALTEN.

1609/012/3/04-93 605.653