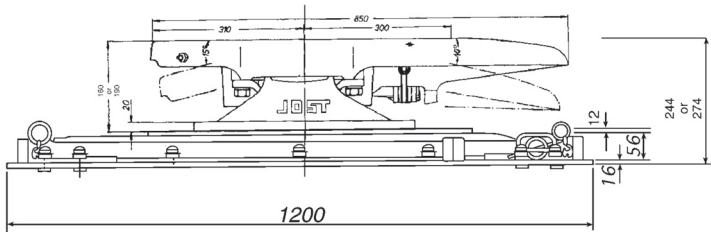


Type LP 38 DV 90 16 Press top

Type LP 38 DV 90 16/160 Press top

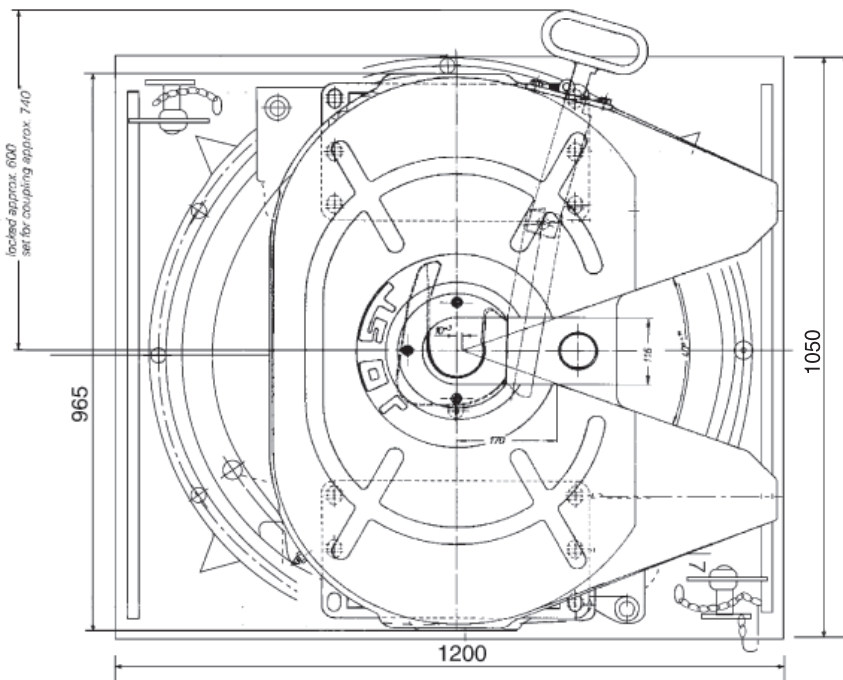


**Heavy duty**

**Applications:** Stock crate  
Fridge van  
General freight  
Tankers

Standard with 16 mm base plate

<b>D-Value</b>	<b>260kN</b>
<b>Overall height</b>	<b>274 mm</b> (with 190mm Feet)
	<b>244 mm</b> (with 160mm Feet)
<b>Imposed load</b>	<b>21000 kgs</b>
<b>Gross comb. weight</b>	<b>115000 kgs</b>
<b>Weight approx.</b> (for 16mm base plate)	<b>458 kgs</b>
<b>CRN</b>	<b>36688</b>



**Twin lockouts.**

Flush bolt heads on mounting plate in chassis mounting zone. Press type unit equipped with JSK 38 fifth wheel extra heavy duty unit. Mounting must be carried out in accordance with our instructions.

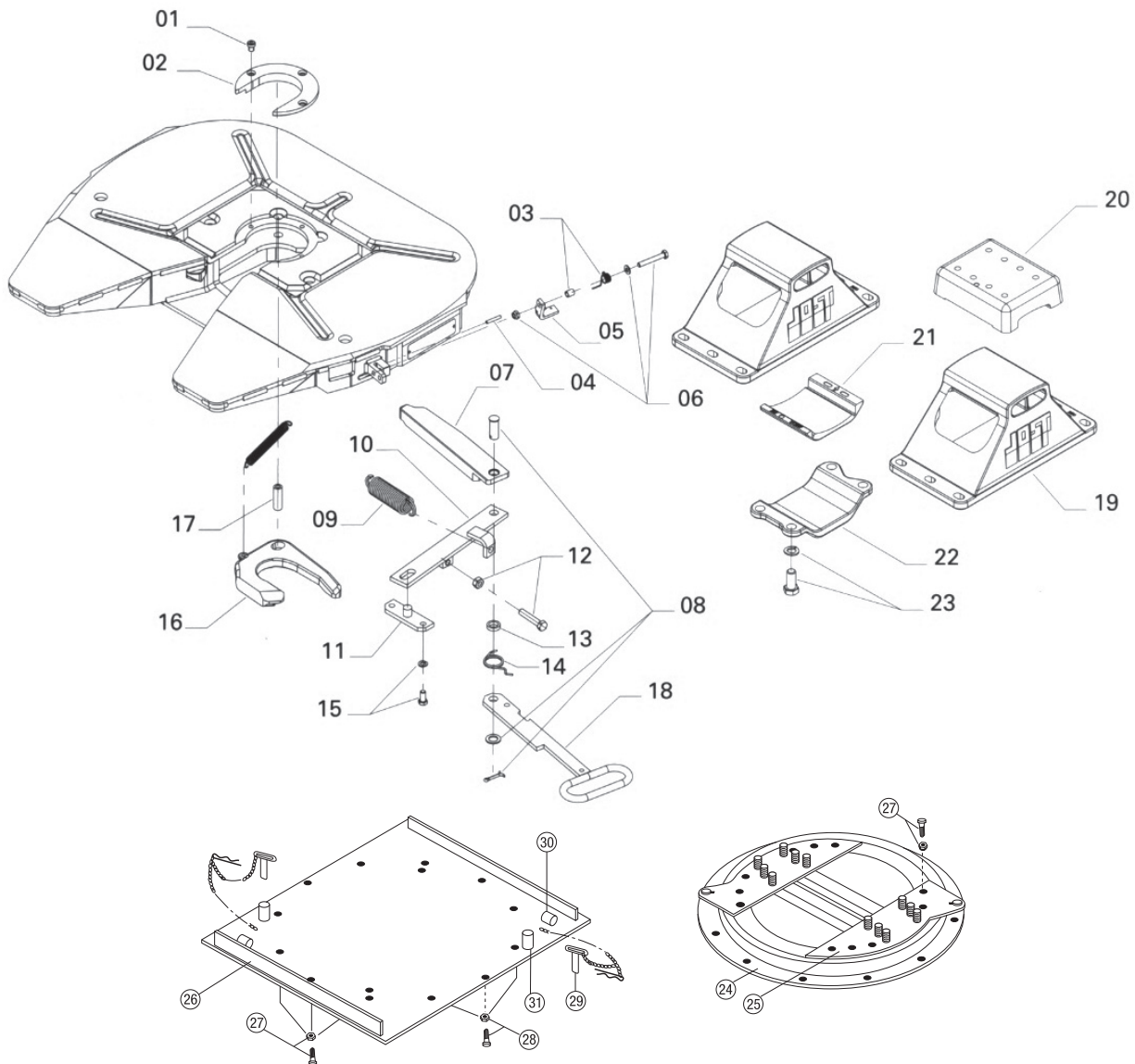


Fig.	Description	Part No.
1	Socket head bolt	SK 2421-08
2	Wearig ring, complete	SK 2421-56
3	Spring noose, complete	SK 2921-30
4	Clamping pin	000.003.027
5	Latch, complete	SK 3121-52
6	Hexagon bolt, complete	SK 3521-03
7	Locking bar	SKE003750000
8	Bar bolt, complete	SKE003760001
9	Double tension spring	SK 2405-23
10	Lever	SK 2405-24
11	Bearing	SK 2405-15
12	Hexagon bolt, complete	SK 2421-52
13	Washer	SK 2405-19

Fig.	Description	Part No.
14	Spring noose	SK 2405-09
15	Hexagon bolt, complete	SK 2405-53
16	Lock jaw	SK 2405-14
17	Bolt	SK 2405-18
18	Handle	SKE003740000
19a	Pedestal 160mm	SK 2404-05
19b	Pedestal 190mm	SK 2404-01
19c	Pedestal 250mm	SK 2404-04
20	Rubber cushion, upper	SK 2006
21	Rubber cushion, lower	SK 2007
22	Bridge	SK 2005
23	Hexagon bolt, complete	SK 2421-55

Fig.	Description	Part No	Fig.	Description	Part No
24	Ball bearing	KDL 900-6	28	Countersunk bolt compl.	SK 3721-05
25	Half moon compl.	SK 3706-29	29	lock out pin compl.	SK 3706-10
26	Base plate (16mm) incl.56,57,58	SK 3706-16	30	Tube park	SK 3706-04
27	Hex. bolt compl.	SK 3721-04	31	Tube lock out	SK 3706-05