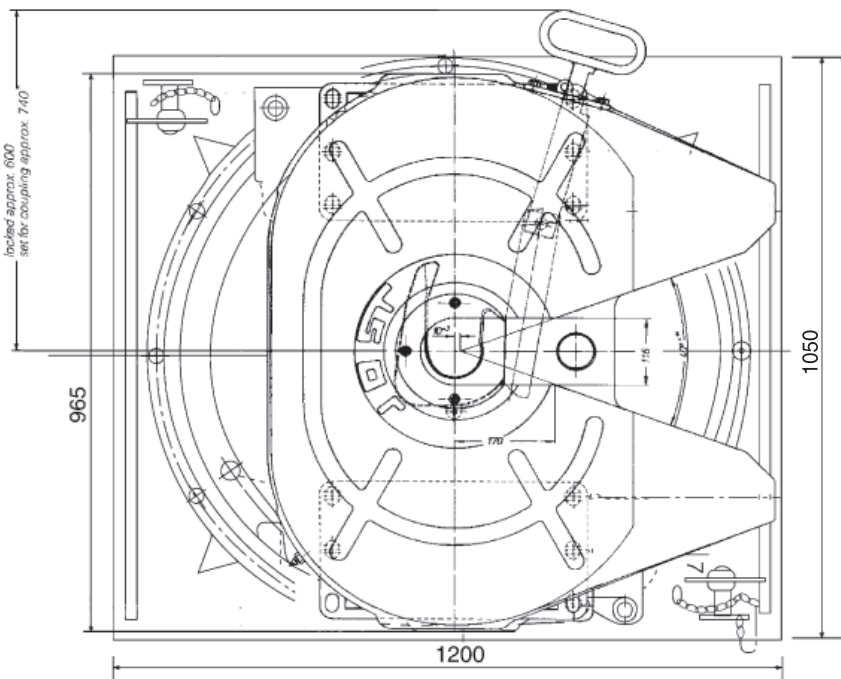
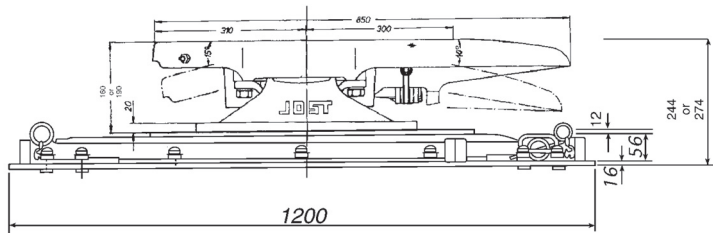


Type LP 38 C-1-16 Cast top
Type LP 38 C-2 -16 Cast top

Type LP 38 C-1-16/160 Cast top
Type LP 38 C-2 -16/160 Cast top



Heavy duty

Applications: Stock crate
Fridge van
General freight
Tankers

Standard with 16 mm base plate

optional: 20mm Base Plate

LP 38 C 20mm

*Note thicker base plate determines extra weight and height.

D-Value JSK 38 C1W	260kN
JSK 38 C2W	216kN
Overall height	274 mm (with 190mm Feet)
	244 mm (with 160mm Feet)
Imposed load	21000 kgs
Gross comb. weight	115000 kgs
Weight approx. (for 16mm base plate)	444 kgs
CRN	C1-24837
CRN	C2-24834

Twin lockouts.

Flush bolt heads on mounting plate in chassis mounting zone. Cast type unit equipped with JSK 38 fifth wheel extra heavy duty unit. Jaws sizes can be changed from 50 mm or 90 mm diameter. Mounting must be carried out in accordance with our instructions.

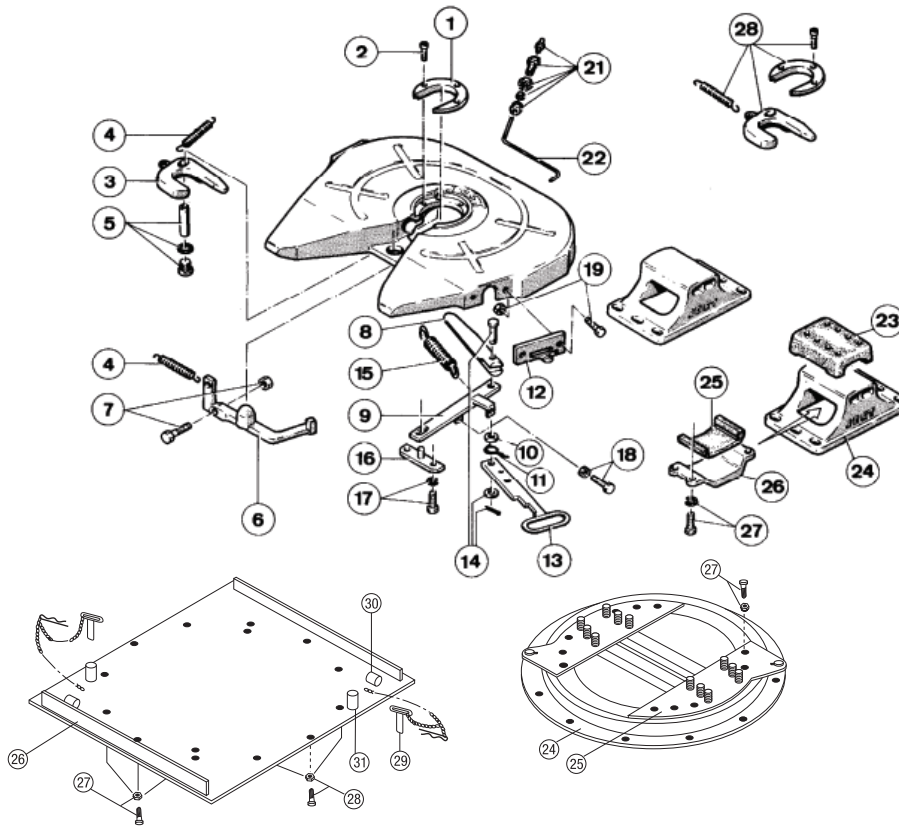


Fig.	Description	Part No.
1	Wearing ring 3 1/2" compl. with item 2	SK 2421-56
1	Wearing ring 2" compl. with item 2	SK 2421-57
2	Socket head bolt	SK 2421-08
3	Lock jaw 3 1/2"	SK 2405-14
3	Lock jaw 2"	SK 2405-13
4	Lock jaw spring	SK 2106-01
5	Bolt complete	SK 2421-54
6	Stopper	SK 2405-27
7	Hexagon head bolt	SK 2421-51
8	Locking bar	SK 2405-01
9	Lever	SK 2405-04
10	Disc	SK 2405-19
11	Spring loop	SK 2405-09
12	Guide plate	SK 2405-22
13	Operating handle	SK 2405-02
14	Locking bar bolt	SK 2121-14
15	Double tension spring	SK 2405-23
16	Support	SK 2405-15
17	Hexagon head bolt complete	SK 2421-53
18	Hexagon head bolt complete	SK 2421-52
19	Hexagon head bolt complete	SK 2421-50
20	Spring hook complete	SK 1436
21	Grease nipple complete	SK 1976
22	Grease tube	SK 2205-12
23	Upper rubber cushion	SK 2006
24a	Pedestal 160 mm Bolt on/weldable	SK 2404-05
24b	Pedestal 190 mm Bolt on/weldable	SK 2404-01
24c	Pedestal 250 mm Bolt on/weldable	SK 2404-04

Fig.	Description	Part No.
25	Lower rubber cushion	SK 2007
26	Mounting bracket	SK 2005
26a	For use with 160mm pedestals	SK 2005-1
27	Hexagon head bolt	SK 2421-55
Repair Kits		
1,3,4, 5,15, 20	Repair kit for locking device 3 1/2"	SK 2421-76
1,3,4, 5,15, 20	Repair kit for locking device 2"	SK 2421-77
23,25 27	Repair kit for rubber bearing	SK 2421-78
Conversion Kits		
28a	Kit to convert 3 1/2" to 2" locking mechanism	SK 2421-98
28b	Kit to convert 2" to 3 1/2" locking mechanism	SK 2421-99

Fig.	Description	Part No.	Fig.	Description	Part No.
29	Ball bearing	KDL 900-6	33	Countersunk bolt compl.	SK 3721-05
30	Half moon compl.	SK 3706-29	34	lock out pin compl.	SK 3706-10
31	Base plate (16mm) incl.56,57,58	SK 3706-16	35	Tube park	SK 3706-04
32	Hex. bolt compl.	SK 3721-04	36	Tube lock out	SK 3706-05