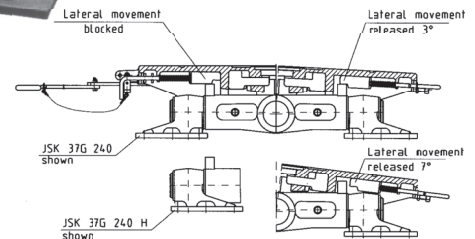
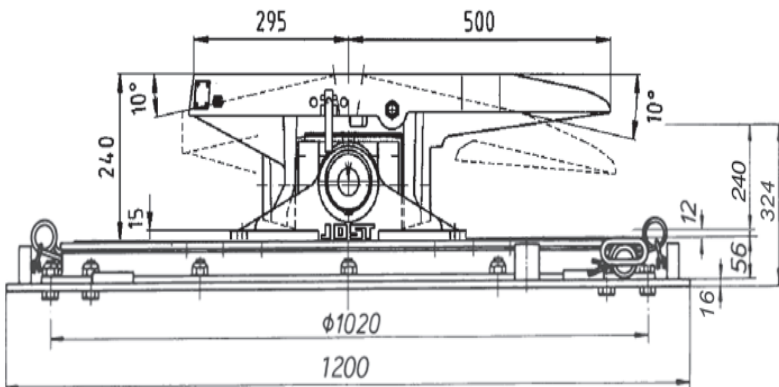
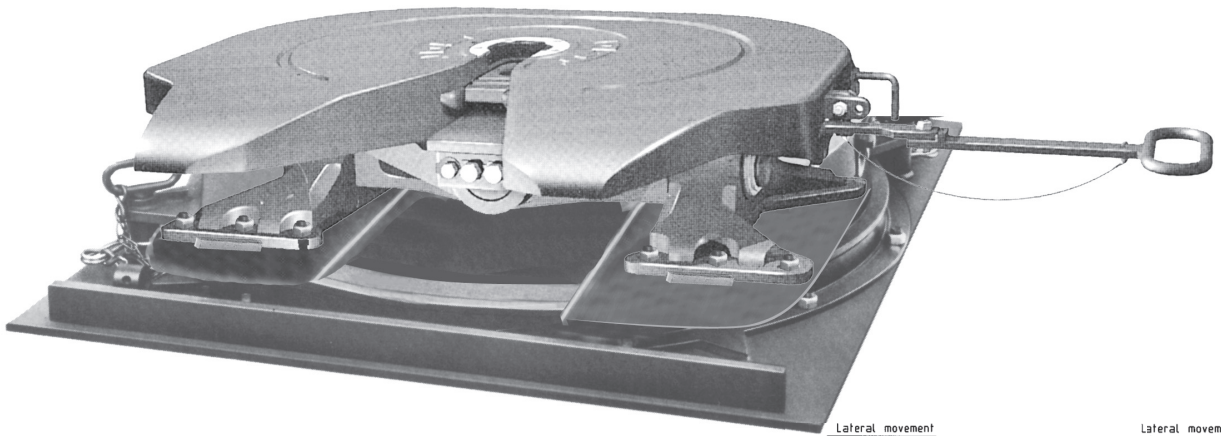


Type LP 37 G-240-16 Cast top 2''



Heavy duty off road
Applications: Low Loaders
Step Deck Trailers

Standard with 16 mm base plate
optional: 20mm Base Plate

LP 37 G-240-16

D-Value	162.4kN
Overall height	324 mm
Imposed load	21000 kgs
Gross comb. weight	125000 kgs
Weight approx.	490 kgs
(for 16mm base plate)	
CRN	24831

Twin lockouts.

Flush bolt heads on mounting plate in chassis mounting zone.

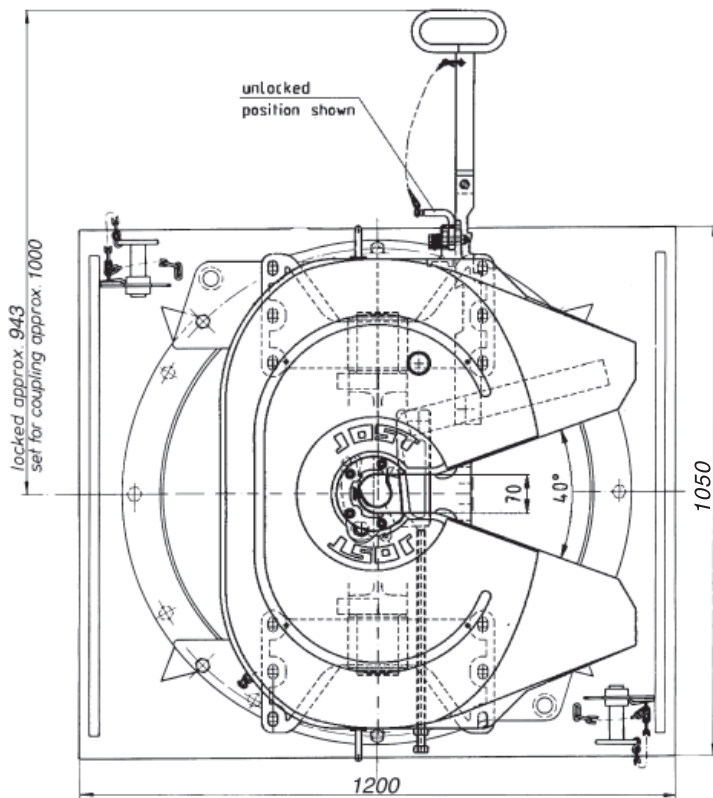
JSK 37 G-240 fifth wheel coupling for operation under arduous conditions.

The well known JOST locking device together with the maintenance free cardan mounting ensures a high degree of stability and safety on the road and off road.

The lateral movement of 7° is designed to compensate for the roll between the truck and semi-trailer during off-road use. On the road, and especially at higher speeds, it must be locked at 3° or blocked for safety reasons.

Lock jaw and wearing ring can be replaced without difficulty in a few minutes with the fifth wheel still in position.

Mounting must be carried out in accordance with our instructions.



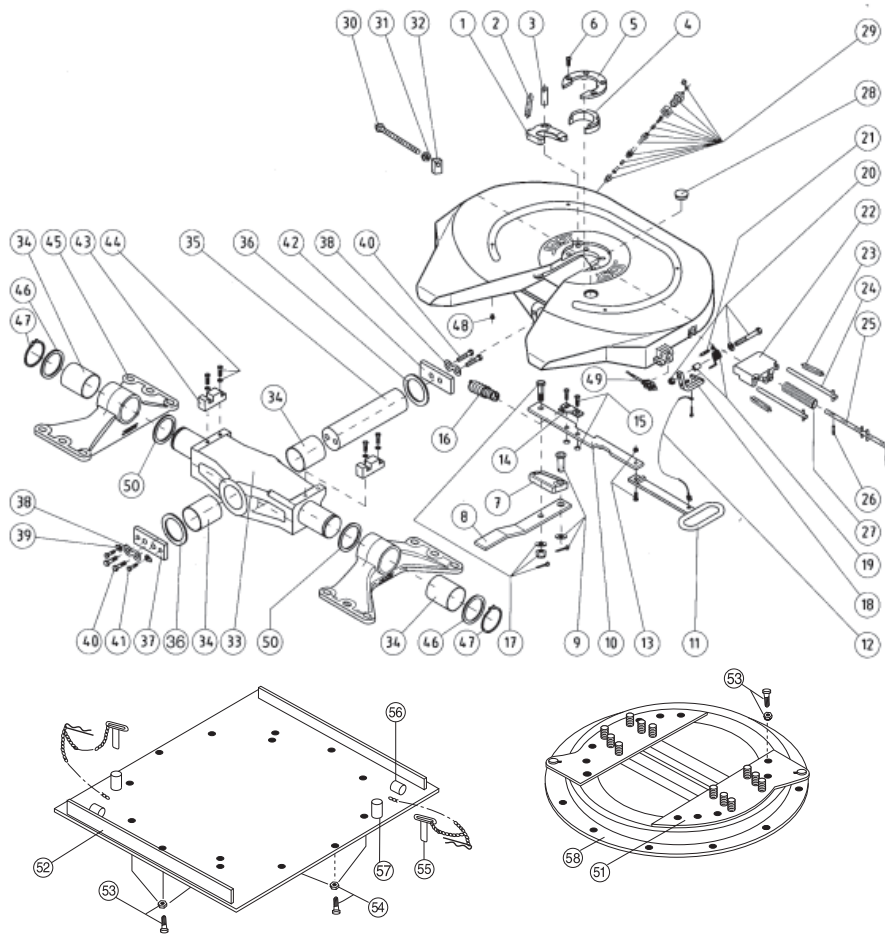


Fig.	Description	Part No. LP 37-G240-16	Fig.	Description	Part No. LP 37-240-16
1	Lock jaw	SK 1489 Z	31	Hexagon nut	SK 2121-78
2	Lock jaw spring	SK 847	32	Guide piece	SK 3205-07
3	Bolt	SK 2405-18	33	Rocking arm	SK 3304-002
4	Wearing ring	SK 3105-92	34	Bushing	SK 3304-010
5	Retainer for wearing ring	SK 3105-93	35	Pivot	SK 3304-003
6	Socket head bolt	SK 3121-55	36	Distance ring	SK 3304-009
7	Locking bar	SK 3305-001	37	Bracket	SK 3304-004
8	Lever	SK 3305-008	38	Safety bracket	SK 3304-006
9	Bolt compl.	SK 3353-005	39	Safety bracket	SK 2521-20
10	Securing lever	SK 3305-003	40	Hexagon bolt	000.001.114
11	Operating handle	SK 3105-113	41	Hexagon bolt	000.001.127
12	Wire cable compl.	SK 3521-02	42	Bracket	SK 3304-005
13	Socket head bolt compl.	SK 2421-50	43	Stop block	SK 3306-004
14	Retainer	SK 3305-004	44	Socket head bolt compl.	SK 3353-009
15	Socket head bolt compl.	SK 3353-006	45	Pedestal	SK 3304-001
16	Double tension spring	SK 3305-007	46	Distance ring	SK 3304-008
17	Socket head bolt compl.	SK 1513	47	Snap ring	000.006.057
18	Latch, compl.	SK 3521-01	48	Plug	000.010.021
19	Spring with spacer	SK 3521-09	49	Sensor	000.018.002
20	Hexagon bolt compl.	SK 3521-03	50	Distance Ring	SK 3304-007
21	Clamping sleeve	SK 2121-01	REPAIR KITS		
22	Clamp	SK 3306-001	34,36,38, 38,39,40, 41,42,47 1,2,3, 4,6,	Repair kit for cardan bearing	SK 3353-010
23	Tension spring	000.009.014		Repair kit for locking device	SK 3353-011
24	Guide rod with fig. 26	SK 3353-007			
25	Adjusting handle compl.	SK 3306-003			
26	Clamping sleeve	000.003.024			
27	Spring	000.009.015			
28	Plug	000.010.017			
29	Tubing compl.	SK 3353-008			
30	Adjusting screw	SK 2905-52			
Fig.	Description	Part No	Fig.	Description	Part No
58	Ball bearing	KDL 900-6W	54	Countersunk bolt compl.	SK 3721-05
51	Pedestals half moon compl.	SK 3706-29	55	lock out pin compl.	SK 3706-10
52	Base plate (16mm) incl.55,56,57	SK 3706-16	56	Tube park	SK 3706-04
53	Hex. bolt compl.	SK 3721-04	57	Tube lock out	SK 3706-05