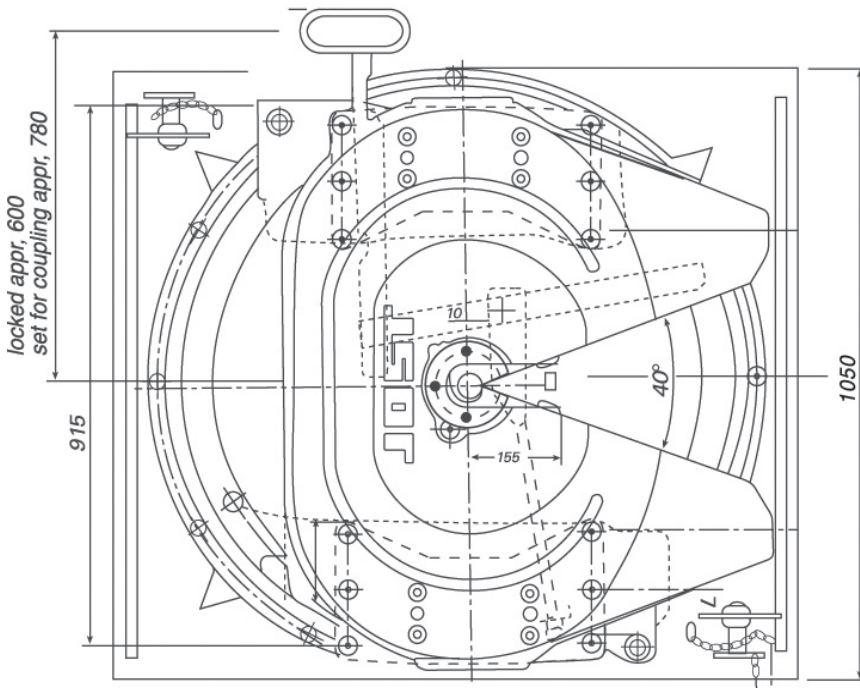
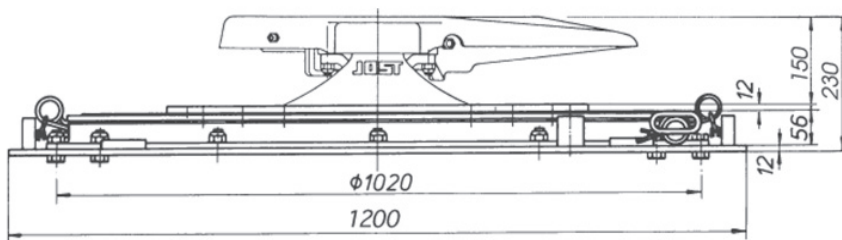


Type LP 37 CZ Cast top



Application: Stock crate
Fridge van
General freight
Tankers

also available with:

16mm Base Plate LP 37 CZ 16mm

20mm Base Plate LP 37 CZ 20mm

Narrow chassis width available
ie European spec

*Note thicker base plate determines
extra weight and height.

D-Value	190kN
Overall height	230 mm
Imposed load	20000 kgs
Gross comb. weight	135000 kgs
Weight approx. (for 12mm base plate)	367 kgs
CRN	24836

Twin lockouts.
Flush bolt heads on mounting plate
in chassis mounting zone. Cast
type unit equipped with external
king pin grease point for additional
lubrication to the jaw.
Wear ring easily removed from
above on JSK 37 CZ fifth wheel.
Mounting must be carried out in
accordance with our instructions.

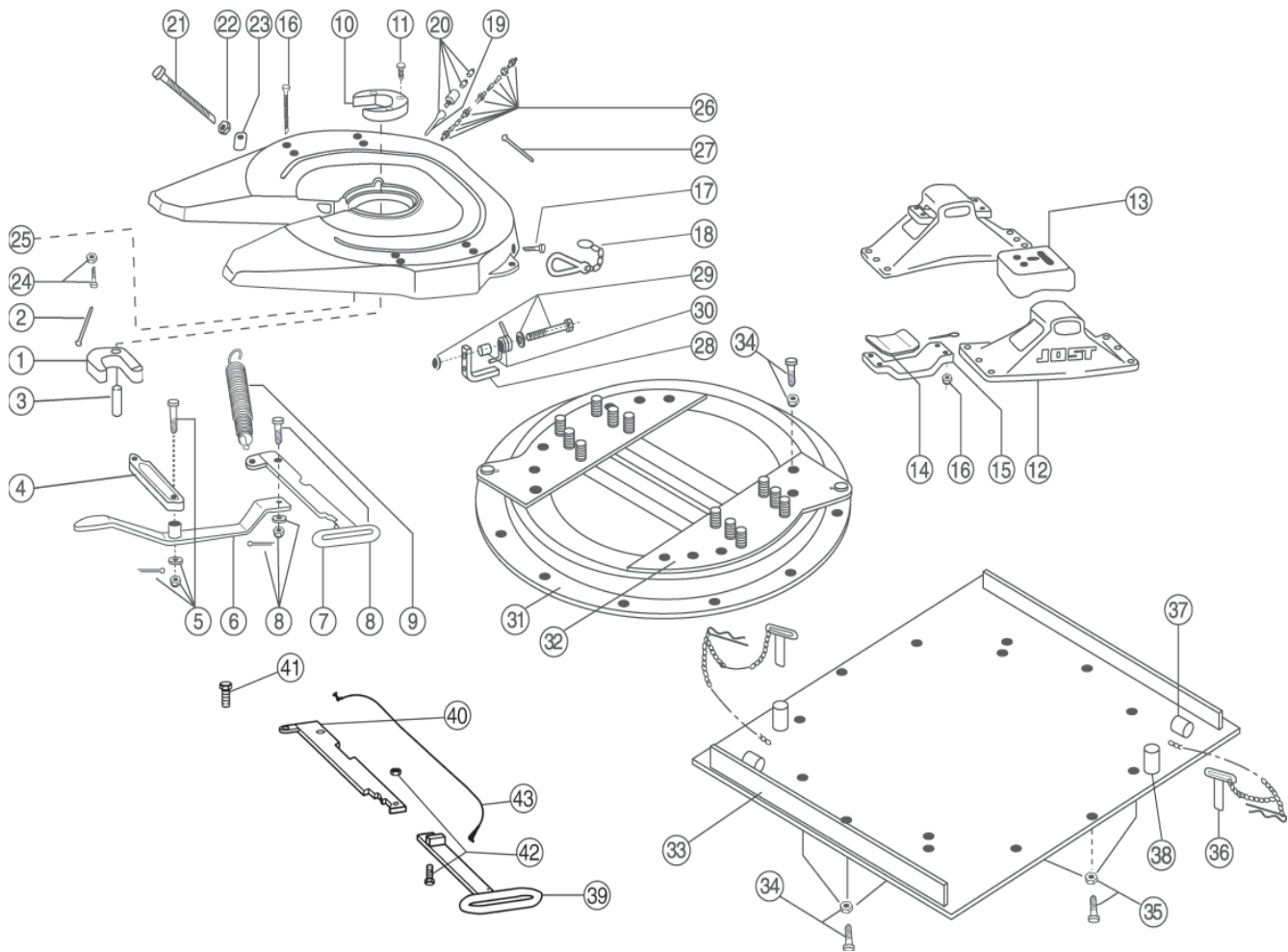


Fig.	Description	Part No LP 37 CZ
1	Lock jaw	SK 1489 Z
2	Lock jaw spring	SK 847
3	Pivot for lock jaw, compl.	SK 2106-67
4	Locking bar	SK 3205-06
5	Locking bar bolt, compl.	SK 3221-01
6	Lever	SK 3105-18
7	Operating handle	SK 3105-15
8	Head bolt	SK 1513
9	Double tension spring	SK 3105-20
10	Wearing ring	SK 2105-19
11	Socket head bolt	SK 2121-07
12	Pedestal (185mm)	SK 2104-01X
	Pedestal (170mm)	SK 2104-21X
	Pedestal (150mm)	SK 2104-02X
13	Upper rubber cushion	SK 1259
14	Lower rubber cushion	SK 2105-25
15	Mounting bracket	SK 1372
16	Socket head bolt, compl.	SK 2121-15
17	Split pin	SK 1974
18	Spring hook pre 1995	SK 1436
18b	Wedge	SK 1436 V
19	Lubrication fitting	SK 1989
20	Grease nipple compl	SK 1976
21	Adjusting Screw	SK 3105-05
22	Hexagon nut	SK 2121-78
23	Guide piece	SK 3205-07
24	Eye bolt compl.	SK 2122-04
25	Grease nipple	SK 3121-11

Fig.	Description	Part No. LP 37 CZ
26	Lubrication tubing with Fig. 27	SK 3108-02
27	Tubing clamp	SK 3121-13
28	Spring Latch 1996 onwards	SK 3121-52
29	Bolt for Spring Latch	SK 3521/03
30	Spring for Latch	SK 3121/59
31	Ball bearing	KDL 900-6
32	Half moon compl.	SK 3706-29
33a	Base plate (12mm) incl.36,37,38	SK 3706-12
33b	Base plate (16mm) incl.36,37,38	SK 3706-16
33c	Base plate (20mm) incl.36,37,38	SK 3706-20
34	Hex. bolt compl.	SK 3721-04
35	Countersunk bolt compl.	SK 3721-05
36	lock out pin compl.	SK 3706-10
37	Tube park	SK 3706-04
38	Tube lock out	SK 3706-05
39	Handle Extension	SK 3105-113
40	Internal Operating Handle	SK 3105-115
41	Head Bolt	SK 1513
42	Extended Handle Bolt	SK 2421-50
43	Cable Extension	SK 3521-02
Repair Kits		
1,2,3,10,11,26	Repair kit for locking device	SK 3221-50 Z
1,2,3,26	Repair kit for locking device	SK 3221-52 Z
1,2,3,8	Repair kit for locking device	SK 3121-50 Z
10,11,18,26		
13,14,16	Repair kit for rubber bearing	SK 2121-69 Z
28, 29, 30	Kit for latch	SK 3121-52 Kit