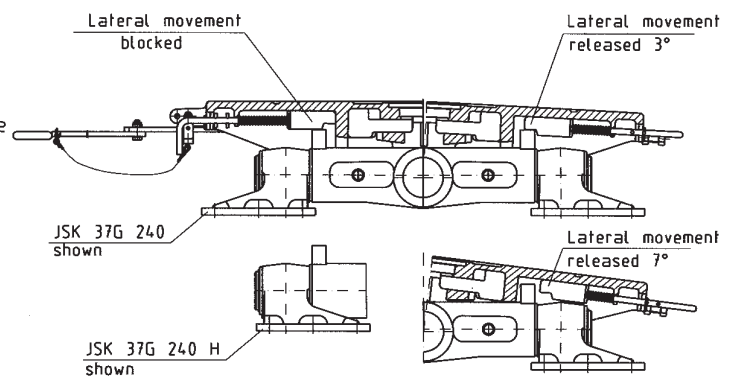
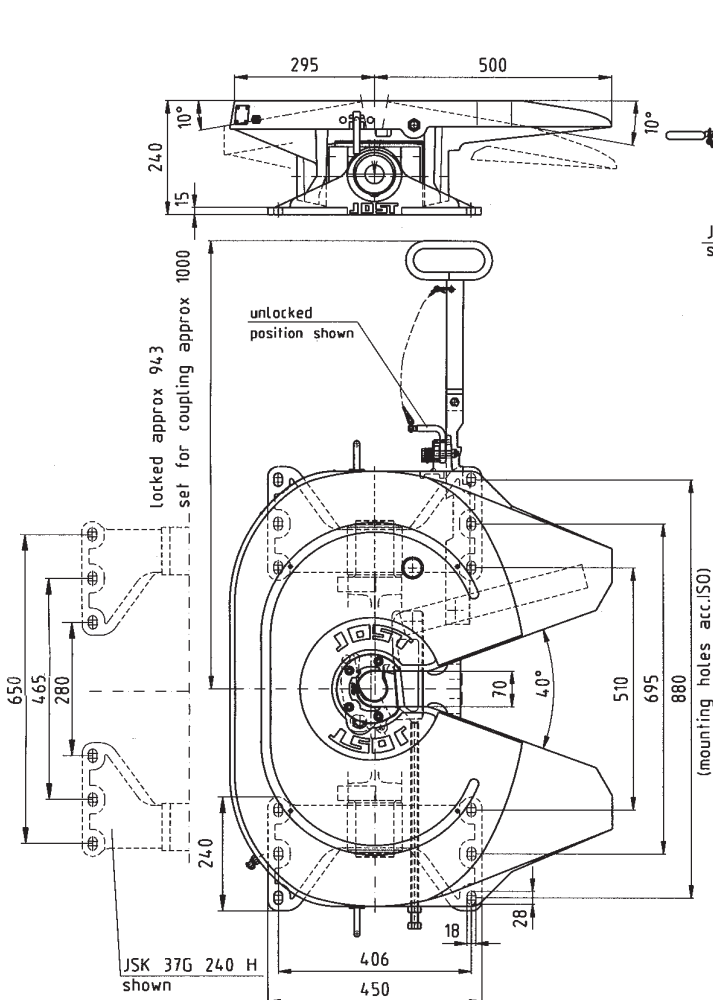
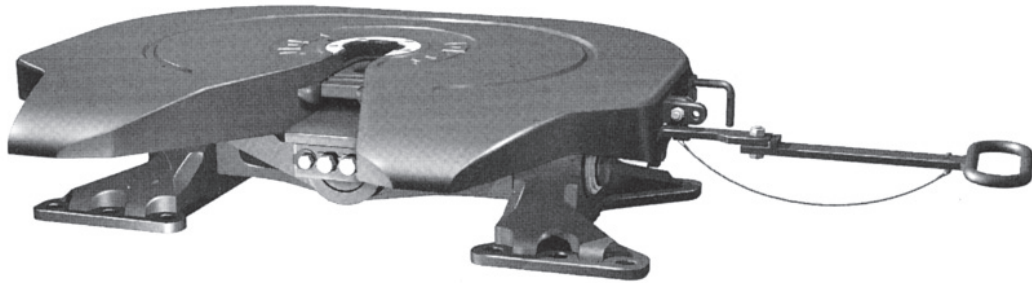


### JSK 37 G-240



**Heavy duty off road**  
**Applications: Low Loaders**  
**Step Deck Trailers**

A fifth wheel coupling for operation under arduous conditions.

The well known JOST locking device together with the maintenance free cardan mounting ensures a high degree of stability and safety on the road and off road.

The lateral movement of 7° is designed to compensate for the roll between the truck and semi-trailer during off-road use. On the road, and especially at higher speeds, it must be locked at 3° or blocked for safety reasons.

Lock jaw and wear ring can be replaced without difficulty in a few minutes with the fifth wheel still in position.

Mounting must be carried out in accordance with our instructions.

Complies with DIN 74081 and ISO 3842. Suitable for all types of rear axle steering systems.

Type	Overall height mm	Imposed Load on prime mover kg	D-value kN	Weight approx. kg	CRN
JSK 37G 240	240	25000	162	236	24500

The right to alter specifications is reserved.

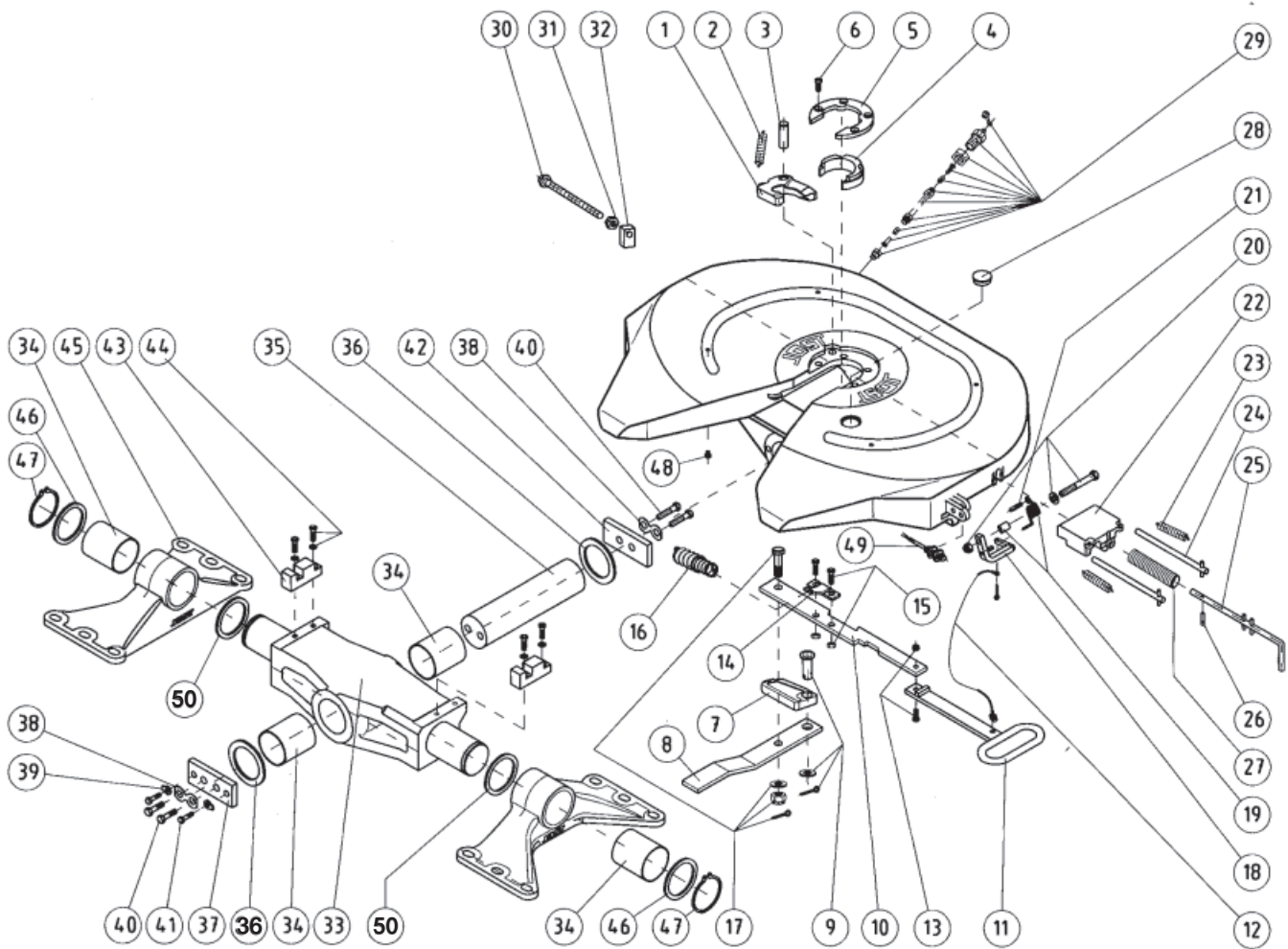


Fig.	Description	Part No.	Fig.	Description	Part No.
1	Lock jaw	SK 1489 Z	31	Hexagon nut	SK 2121-78
2	Lock jaw spring	SK 847	32	Guide piece	SK 3205-07
3	Bolt	SK 2405-18	33	Rocking arm	SK 3304-002
4	Wear ring insert	SK 3105-92	34	Bushing	SK 3304-010
5	Retainer for wearing ring	SK 3105-93	35	Pivot	SK 3304-003
6	Socket head bolt	SK 3121-55	36	Distance ring	SK 3304-009
7	Locking bar	SK 3305-001	37	Bracket	SK 3304-004
8	Lever	SK 3305-008	38	Safety bracket	SK 3304-006
9	Bolt compl.	SK 3353-005	39	Safety bracket	SK 2521-20
10	Securing lever	SK 3305-003	40	Hexagon bolt	000.001.114
11	Operating handle	SK 3105-113	41	Hexagon bolt	000.001.127
12	Wire cable compl.	SK 3521-02	42	Bracket	SK 3304-005
13	Head bolt compl.	SK 2421-50	43	Stop block	SK 3306-004
14	Retainer	SK 3305-004	44	Socket head bolt compl.	SK 3353-009
15	Socket head bolt compl.	SK 3353-006	45	Pedestal	SK 3304-001
16	Double tension spring	SK 3305-007	46	Distance ring	SK 3304-008
17	Socket head bolt compl.	SK 1513	47	Snap ring	000.006.057
18	Latch	SK 3521-01	48	Plug	000.010.021
19	Spring with spacer	SK 3521-09	49	Sensor	000.018.002
20	Hexagon bolt compl.	SK 3521-03	50	Distance Ring	SK 3304-007
21	Clamping sleeve	SK 2121-01	<b>REPAIR KITS</b>		
22	Clamp	SK 3306-001	34,38	Repair kit for cardan bearing	SK 3353-010
23	Tension spring	000.009.014	39,40,		
24	Guide rod with fig. 26	SK 3353-007	41,47,	Repair kit for locking device	SK 3353-011
25	Adjusting handle compl.	SK 3306-003	1,2,3,		
26	Clamping sleeve	000.003.024	4,6,		
27	Spring	000.009.015	17,18,		
28	Plug	000.010.017			
29	Tubing compl.	SK 3353-008			
30	Adjusting screw	SK 2905-52			

The right to alter specifications is reserved.