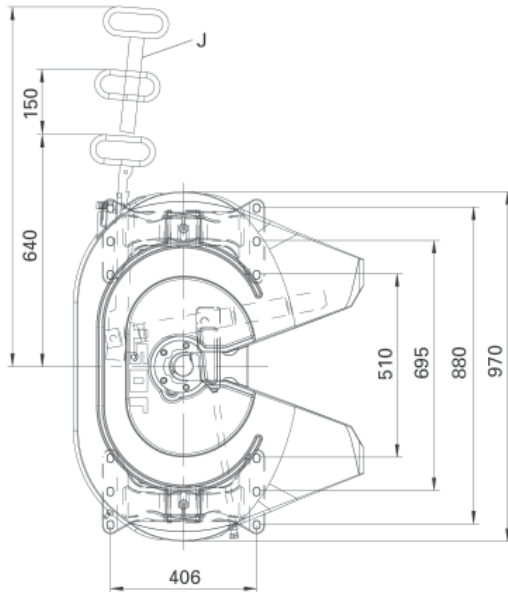
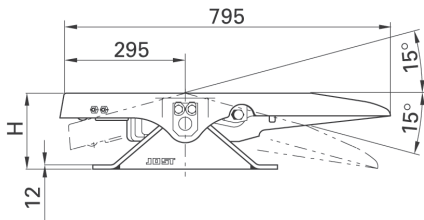


JSK 37 E

with wear ring & external jaw lubrication



Applications: Highway Work Tipper Work

Lock jaw and wear ring can be replaced without difficulty in a few minutes with the fifth wheel still in position.

Available with extended operating handle (240mm) on demand.

Mounting must be carried out in accordance with our instructions.

Mounting hole pattern in accordance with DIN standard 74081 and ISO standard 3842. Suitable for all types of rear axle steering systems.

Type	Overall height mm	Imposed Load on tractor kg	D-value kN	Weight approx. kg	Pedestal Style	CRN
JSK37 E130 FX	130	20000	190	121.50	Weld on	36821
JSK37 E150 FX	150	20000	190	123.50	Weld on	
JSK37 E170 FX	170	20000	190	128.50	Weld on	
JSK37 E185 FX	185	20000	190	128.50	Weld on	
JSK37 E195 FX	195	20000	190	130	Weld on	
JSK37 E205 FX	205	20000	190	131.50	Weld on	
JSK37 E215 FX	215	20000	190	132	Weld on	
JSK37 E235 FX	235	20000	190	133.50	Weld on	
JSK37 E255 FX	255	20000	190	136.50	Weld on	

The right to alter specifications is reserved.

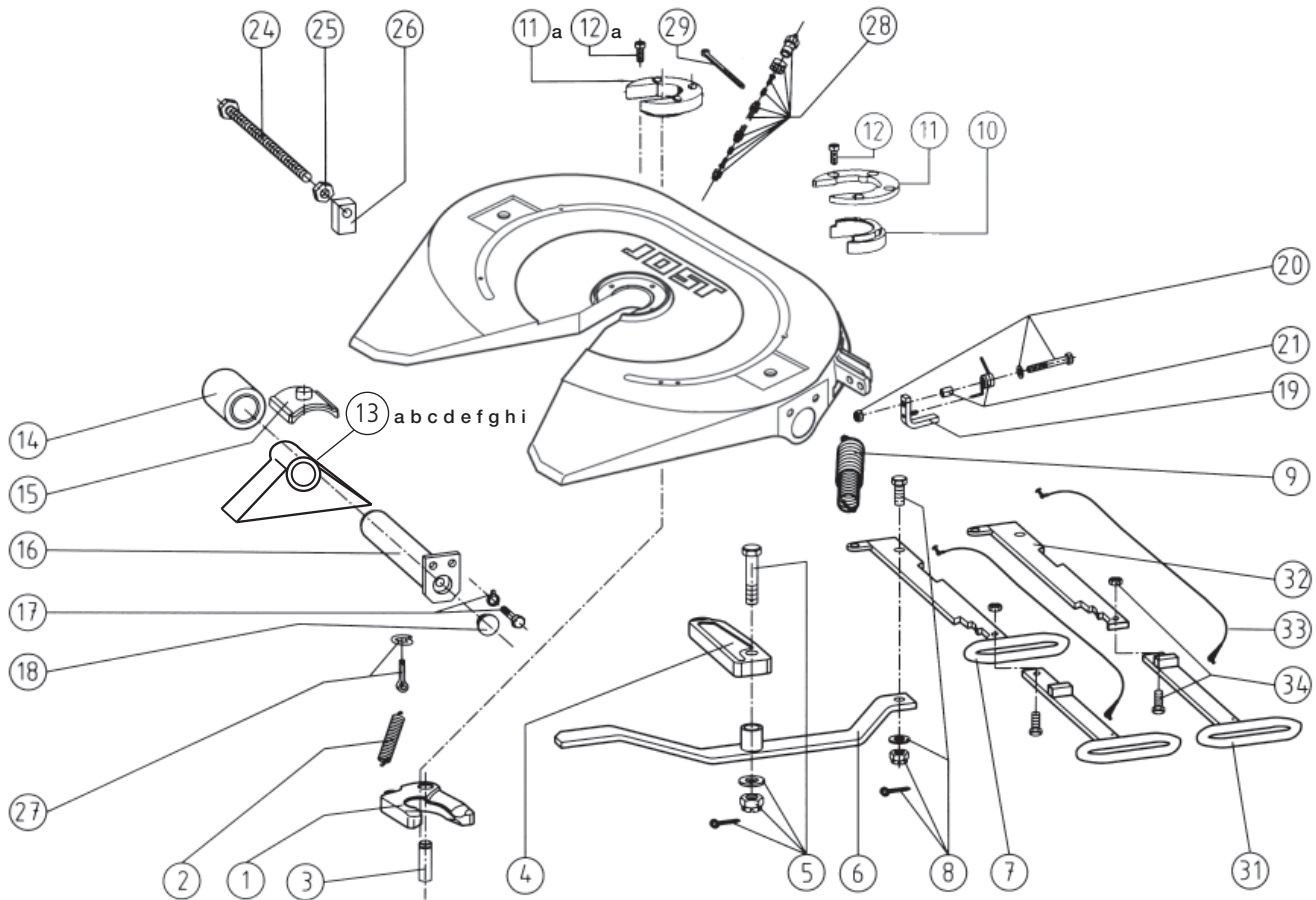


Fig.	Description	Part No.
1	Jaw	SK 1489 Z
2	Jaw Spring	SK 847
3	Jaw Pivot	SK 2106/67
4	Locking Bar	SK 3205/06
5	Lock Bar Bolt	SK 3221/01
6	Release Lever	SK 3105/18
7	Operating Handle	SK 3105/15
8	Head Bolt	SK 1513
9	Double Tension Spring	SK 3105/20
10	Wearing Ring Insert	SK 3105/92
11	Wearing Ring Fixture	SK 3105/93
11a	Wearing Ring Fixture	SK 2105/19
12	Socket Head Bolt	SK 3121/55
12a	Socket Head Bolt	SK 2121/07
13a	Fabricated Pedestals 130	SK 2920-130
13b	Fabricated Pedestals 150	SK 2920-150
13c	Fabricated Pedestals 170	SK 2920-170
13d	Fabricated Pedestals 185	SK 2920-185
13e	Fabricated Pedestals 195	SK 2920-195
13f	Fabricated Pedestals 205	SK 2920-205
13g	Fabricated Pedestals 215	SK 2920-215

Fig.	Description	Part No.
13h	Fabricated Pedestals 235	SK 2920-235
13i	Fabricated Pedestals 255	SK 2920-255
14	Rubber bushing for bolt on feet	SK 2905-95
14a	Poly Bush	SK 2905-20
15	Collar	SK3105-95
16	Swivel Pin	SK 3104/05
17	Swivel Pin Bolt	SK 3121/28
18	Swivel Pin Plug	JS 1101/12
19	Spring Latch 1996 onwards	SK 3121/52
20	Bolt for Spring Latch	SK 3521/03
21	Spring for Latch	SK 3121/59
24	Adjusting Screw	SK 3105/97
25	Hex Nut	SK 2121/78
26	Guide Piece	SK 3205/07
27	Eye Bolt Complete	SK 2122/04
28	Grease Line Complete	SK 3108/02
31	Handle Extension	SK 3105/113
32	Internal Operating Handle	SK 3105/115
33	Cable Extension	SK 3521/02
34	Extended Handle Bolt	SK 2421/50

Fig.	Repair Kits	Part No
1,2,3	Repair kit for locking device	SK 3221-52 Z
14,15,16,17,18	Repair kit for locking device	SK 3121-061
1,2,3,8,10,12,28	Repair kit for locking device	SK 3121-060 Z
10,11,12	Repair kit for wearing ring	SK 3105-94 Kit
22,23,24	Repair kit for spring latch	SK 3121-52 Kit