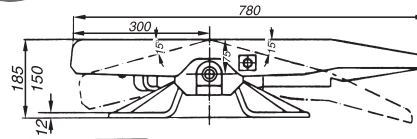
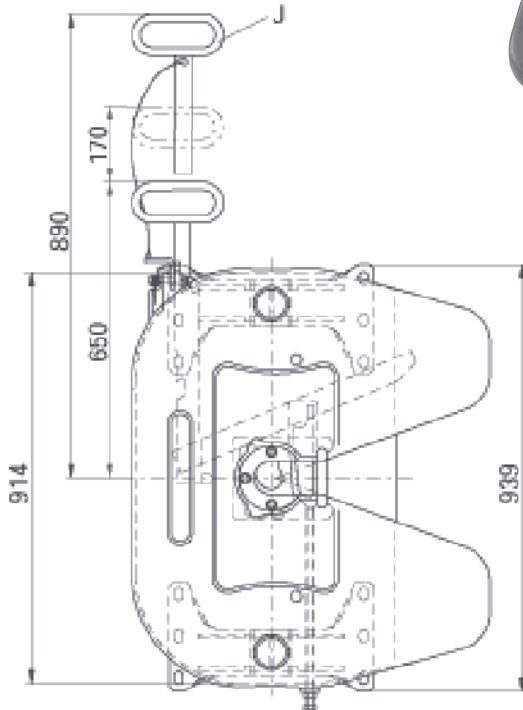


Type JSK 36DV1 Pressed Steel



Rubber cushioned pivot bearings

Application: General Freight Tipper work

For use with single trailers and B Double
(not Road Train)

D-value 170kN CRN 26277

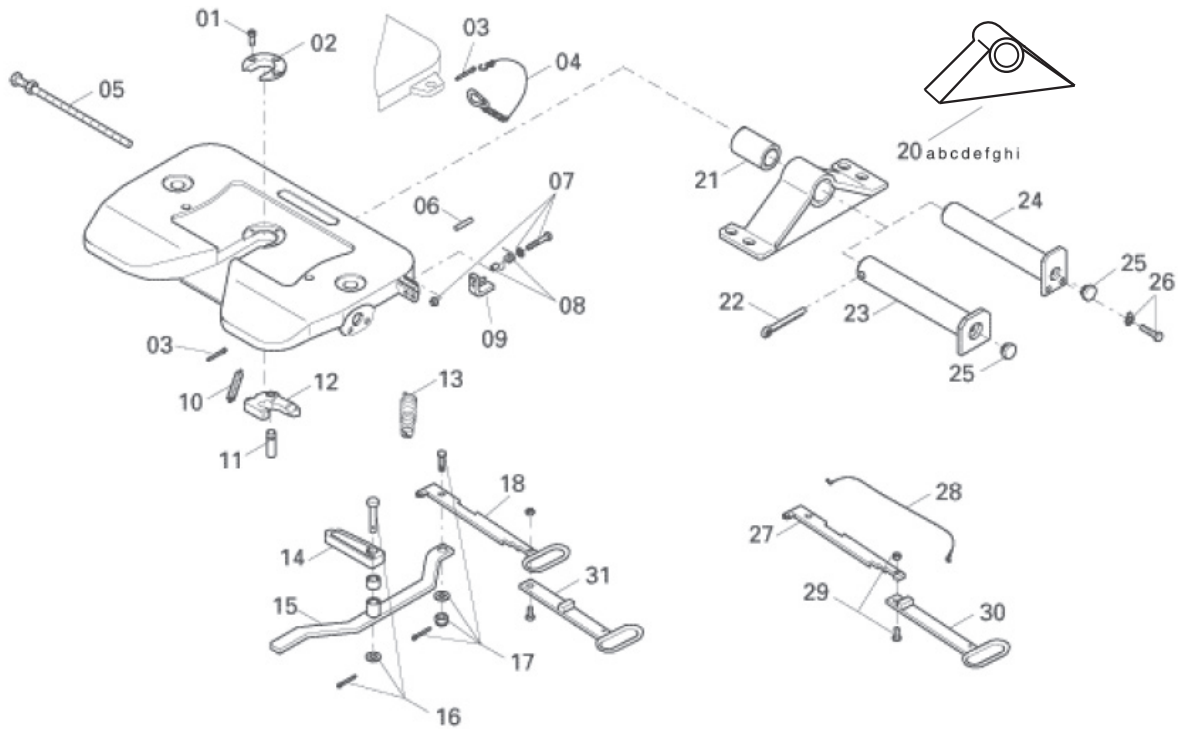
Weight approx. 136kg (bolt on feet)
(for 150mm height)

Available with Fabricated-weld on Pedestals
upon request.

Mounting must be carried out in accordance with our instructions.

| Type | Overall Height mm | Imposed Load On Tractor kg | D-Value kN | Weight Approx. kg | Pedestal Style |
|----------------|-------------------|----------------------------|------------|-------------------|----------------|
| JSK 36 DVI 130 | 130 | 20000 | 170 | 112 | Weld on |
| JSK 36 DVI 150 | 150 | 20000 | 170 | 115 | Weld on |
| JSK 36 DVI 170 | 170 | 20000 | 170 | 118 | Weld on |
| JSK 36 DVI 185 | 185 | 20000 | 170 | 118 | Weld on |
| JSK 36 DVI 195 | 195 | 20000 | 170 | 120 | Weld on |
| JSK 36 DVI 205 | 205 | 20000 | 170 | 122 | Weld on |
| JSK 36 DVI 215 | 215 | 20000 | 170 | 125 | Weld on |
| JSK 36 DV1 235 | 235 | 20000 | 170 | 125 | Weld on |
| JSK 36 DV1 255 | 255 | 20000 | 170 | 127 | Weld on |

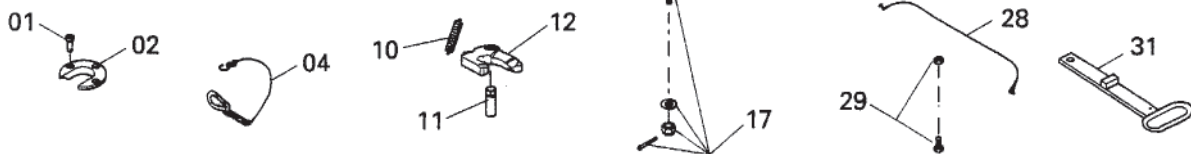
The right to alter specifications is reserved.



| Item | Designation | Order No. | Quantity per JSK |
|------|-----------------------|-------------|------------------|
| 01 | Socket head bolt | SK 2121-07 | 3 |
| 02 | Wearing ring | SK 2105-19 | 1 |
| 03 | Split pin | SK 1974 | 1 |
| 04 | Spring hook | SK 1436 | 1 |
| 05 | Adjusting screw | SK 2700-44 | 1 |
| | | SK 2905-51 | 1 |
| 06 | Clamping pin | 000.003.027 | 1 |
| 07 | Hexagon bolt, compl. | SK 3521-03 | 1 |
| 08 | Spring noose, compl. | SK 2921-30 | 1 |
| 09 | Latch, compl. | SK 3121-52 | 1 |
| 10 | Tension spring | SK 847 | 1 |
| 11 | Bolt | SK 2106-67 | 1 |
| 12 | Lock Jaw | SK 1489 | 1 |
| 13 | Double tension spring | SK 3105-20 | 1 |
| 14 | Locking bolt | SK 2905-06 | 1 |
| 15 | Lever | SK 2105-01 | 1 |
| 16 | Bar bolt, compl. | SK 2921-02 | 1 |
| 17 | Hexagon bolt, compl. | SK 1513 | 1 |
| 18 | Handle | SK 2905-01 | 1 |
| | (standard version) | SK 2905-111 | 1 |

| Item | Designation | Order No. | Quantity per JSK |
|------|--------------------------|-------------|------------------|
| 20a | Fabricated Pedestals 130 | SK 2920-130 | 1 |
| 20b | Fabricated Pedestals 150 | SK 2920-150 | 1 |
| 20c | Fabricated Pedestals 170 | SK 2920-170 | 1 |
| 20d | Fabricated Pedestals 185 | SK 2920-185 | 1 |
| 20e | Fabricated Pedestals 195 | SK 2920-195 | 1 |
| 20f | Fabricated Pedestals 205 | SK 2920-205 | 1 |
| 20g | Fabricated Pedestals 215 | SK 2920-215 | 1 |
| 20h | Fabricated Pedestals 235 | SK 2920-235 | 1 |
| 20i | Fabricated Pedestals 255 | SK 2920-255 | 1 |
| 21 | Rubber bushing, compl. | SK 2905-20 | 2 |
| 22 | Split pin | SK 2921-04 | 2 |
| 23 | Pivot pin with 22 + 25 | SK 2921-24 | 2 |
| 24 | Pivot pin | SK 2905-53 | 2 |
| 24a | Pivot pin with 25 | SK 2904-99 | 2 |
| 25 | Plug | JS 1101-12 | 2 |
| 26 | Hexagon bolts, compl. | SK 2921-038 | 2 |
| 27 | Locking bar | SK 2905-106 | 1 |
| 28 | Latch cord, compl. | SK 3521-02 | 1 |
| 29 | Hexagon bolt, compl. | SK 2421-50 | 1 |
| 30 | Handle | SK 3105-113 | 1 |

Repair and retrofit kits



| Item | Designation | Order No. |
|----------------------------|---------------------|------------|
| 01, 02, 10, 11, 12 | Repair kit for lock | SK 3221-50 |
| 01, 02 | Repair kit for lock | SK 2121-51 |
| 10, 11, 12 | Repair kit for lock | SK 3221-52 |
| 01, 02, 04, 10, 11, 12, 17 | Repair kit for lock | SK 3121-50 |

| Item | Designation | Order No. |
|------------------------|--|-------------|
| 01, 02, 10, 11, 12, 17 | Repair kit for lock | SK 3121-51 |
| 07, 08, 09 | Repair kit for lock | SK 3121-52 |
| 28, 29, 31 | Handle extension, compl. from xx89xxxx | SK 2921-031 |