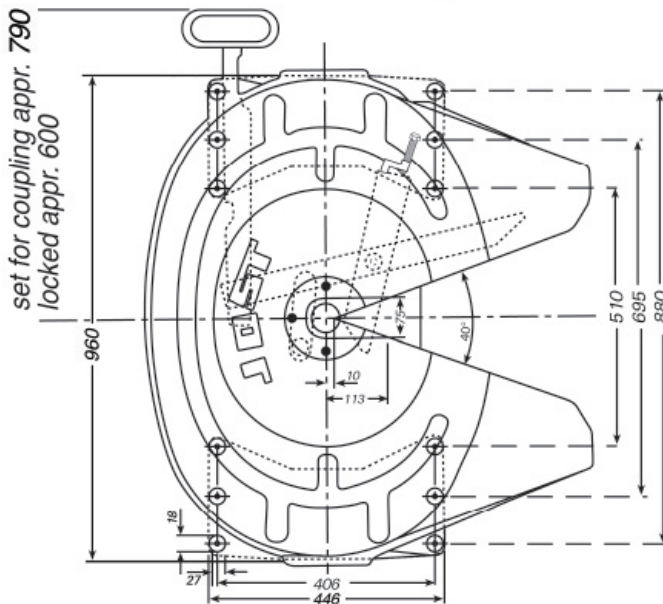
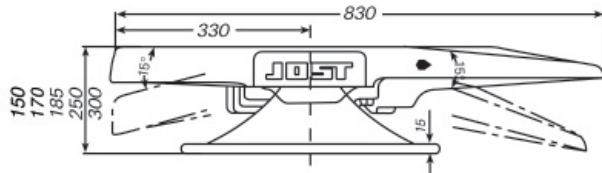


Type JSK 36 CV with wear ring



Application: Tanker

General freight

Fridge van

B-double & Road train.

Chassis Tippers

Wear ring is easy to remove from above.

**Shock absorption large rubber pads.
(Oil and grease resistant)**

Gross comb. weight 135000 kgs

D-value 190kN

**Weight approx. 157 kgs
(for 150mm Height)**

Type	Overall Height mm	Imposed Load On Tractor kg	D-Value kN	Weight Approx. kg	CRN
JSK 36 CV/150	150	20000	190	157	16358
JSK 36 CV/170	170	20000	190	160	
JSK 36 CV/185	185	20000	190	162	
JSK 36 CV/250	250	20000	190	170	
* JSK 36 CV/300	300	20000	190	185	

* Non Weldable Pedestals

The right to alter specifications is reserved.

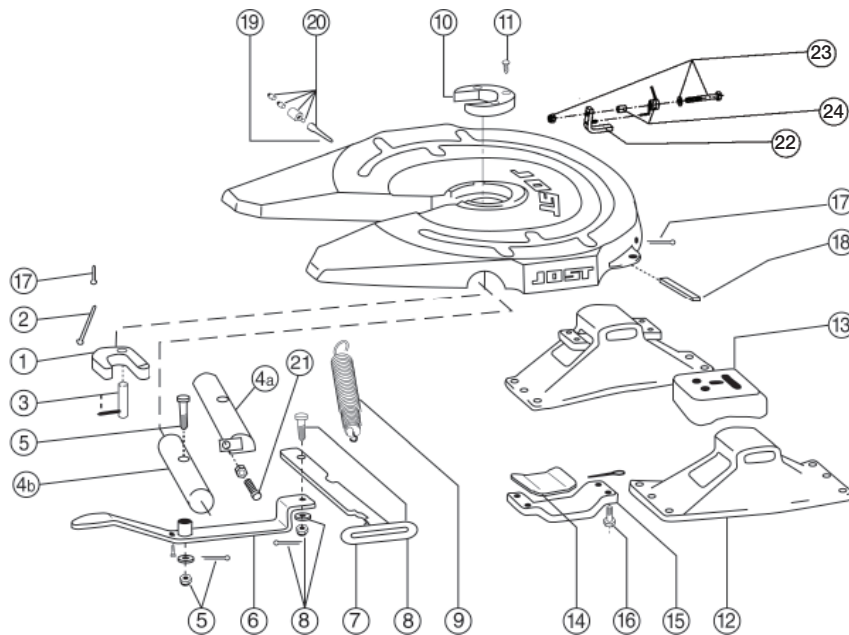


Fig.	Description	Part No.
1	Lock jaw	SK 2105-15
2	Lock jaw spring	SK 847
3	Pivot for lock jaw	SK 2121-13
4a	Locking bar manual adjust after 1992	SK 2106-31
4b	Locking bar auto adjust pre 1992	SK 2105-17
5	Locking bar bolt	SK 2122-25
6	Lever	SK 2105-01 CV
7	Operating handle	SK 2105-07
8	Head bolt	SK 1513
9	Double tension spring	SK 2105-11
10	Wearing ring	SK 2105-19
11	Socket head bolt	SK 2121-07
12a	Pedestal (170 mm) Bolt on Pedestals	SK 2104-21
12b	Pedestal (300 mm) Non Weldable/bolt on Pedestals	SK 2104-20
12c	Pedestal (150 mm) Weldable Pedestals	SK 2104-02X
12d	Pedestal (170 mm) Weld on/bolt on Pedestals	SK 2104-21X
12e	Pedestal (185 mm) Weldable Pedestals	SK 2104-01X
12f	Pedestal (250 mm) Weld on/bolt on Pedestals	SK 2104-14X
13	Upper rubber cushion	SK 1259
14	Lower rubber cushion	SK 2105-25X
15	Mounting bracket	SK 1372
16	Hex Bolt	SK 60
17	Split pin	SK 1974
18	Spring hook, chain & wedge	SK 1436V
19	Lubrication fitting compl. (steel)	SK 2105-28
20	Grease nipple compl. (steel line & nipple)	SK 1976
21	Adjusting screw	SK 2121-76
22	Spring latch 1996 onwards	SK 3121-52
23	Bolt for spring latch	SK 3521-03
24	Spring for latch	SK 3121-59
1.2.3.10.11	Repair Kits Repair kit for locking device	SK 2121-50
1,2,3	Repair kit for locking device	SK 2121-52
1,2,3,8, 10,11,18	Repair kit for locking device	SK 2121-68
13,14,16	Repair kit for rubber bearing	SK 2121-69 CV
22,23,24	Repair kit for spring latch kit	SK 3121-52 Kit