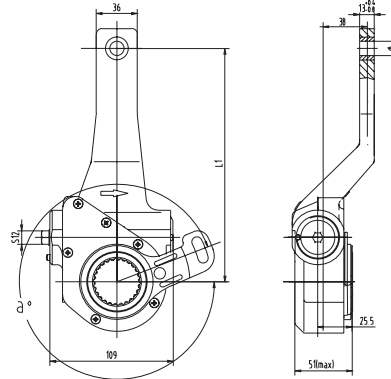


AUTOMATIC SLACK ADJUSTERS



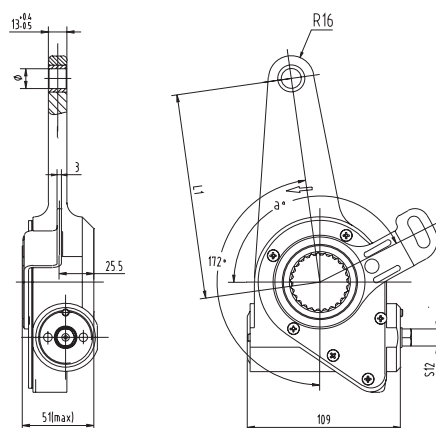
| RUILI NO. | CROSS REF | CAST | CONTROL ARM NO. | SPLINE TEETH | L1 | L2 | L3 | BUSH DIA | ALPHA ANGLE | APPLICATION |
|--------------|-----------|------|-----------------|--------------|-----|-----|-----|----------|-------------|-------------|
| 970021053395 | 86 10274 | 2760 | 2 | 10 | 165 | | | Φ12.7 | 339 | Foden |
| | 86 72417 | | | | | | | | | |
| 970021053405 | 86 79599 | 2760 | 2 | 10 | 200 | | | Φ12.7 | 339 | |
| 970021053397 | 86 72150 | 2760 | 2 | 10 | 165 | | | Φ14 | 339 | |
| 970011930007 | 86 79537 | 2760 | 1 | 19 | 155 | | | Φ14 | 0 | |
| 970021020005 | 86 10714 | 2760 | 2 | 10 | 168 | | | Φ12.7 | 0 | Britsab |
| 970033721107 | 86 12112 | 2760 | 3 | 37 | 203 | 179 | 151 | Φ14 | 110 | Steer axle |
| 970031021107 | 86 70802 | 2760 | 3 | 10 | 203 | 179 | 151 | Φ14 | 110 | SAF |
| 970031051355 | 86 70511 | 2760 | 3 | 10 | 165 | | | Φ12.7 | 135 | Leyland |
| 970031061355 | 86 70840 | | | | | | | | | |
| 970031040305 | 86 72914 | 2760 | 3 | 10 | 165 | | | Φ12.7 | 30 | Volvo |
| | 86 70782 | | | | | | | | | |
| 970031040315 | 86 70641 | 2760 | 3 | 10 | 205 | 165 | 140 | Φ12.7 | 30 | Volvo |
| 970031030307 | 86 79483 | 2760 | 3 | 10 | 165 | | | Φ14 | 30 | |
| 970031920907 | 86 72014 | 2760 | 3 | 19 | 160 | | | Φ14 | 90 | Kassbohrer |
| 970031920917 | 86 70718 | 2760 | 3 | 19 | 170 | | | Φ14 | 90 | Kassbohrer |
| 970031050755 | 86 72140 | 2760 | 3 | 10 | 165 | | | Φ12.7 | 75 | MCW |
| 970012710107 | 86 72319 | 2760 | 1 | 27 | 175 | | | Φ14 | 10 | Renault |
| | 86 79018 | | | | | | | | | |
| 970012710117 | 86 79299 | 2760 | 1 | 27 | 160 | | | Φ14 | 10 | Renault |
| | 86 72835 | | | | | | | | | |
| 970031921407 | 86 72368 | 2760 | 3 | 19 | 175 | | | Φ14 | 140 | Kassbohrer |
| 970031941407 | 86 79236 | | | | | | | | | |
| 970031951407 | 86 79040 | | | | | | | | | |
| 970051921807 | 86 72370 | 2760 | 5 | 19 | 175 | | | Φ14 | 180 | Kassbohrer |
| 970032851505 | 86 72372 | 2760 | 3 | 28 | 175 | | | Φ12.7 | 150 | Kassbohrer |
| 970021021557 | 86 72532 | 2760 | 2 | 10 | 165 | | | Φ14 | 155 | DAF |
| 970021051555 | 86 79156 | 2760 | 2 | 10 | 165 | | | Φ12.7 | 155 | Dennis |
| 970012711257 | 86 72634 | 2760 | 1 | 27 | 175 | | | Φ14 | 125 | Renault |
| 970061021457 | 86 79028 | 2760 | 6 | 10 | 203 | 179 | 151 | Φ14 | 145 | Stefen |
| 970061011447 | 86 79336 | 2760 | 6 | 10 | 179 | 152 | | Φ14 | 144 | SAF |
| | 86 79043 | | | | | | | | | |
| 970061011437 | 86 79495 | 2760 | 6 | 10 | 179 | 140 | | Φ14 | 144 | |
| 970061011277 | 86 79142 | 2760 | 6 | 10 | 178 | 153 | | Φ14 | 127 | |

WE USE THE NAME, THE PICTURE AND THE REFERENCE NUMBER IN THIS CATALOGUE FOR REFERENCE PURPOSES ONLY.

AUTOMATIC SLACK ADJUSTERS



| RUILI NO. | CROSS REF | CAST | CONTROL ARM NO. | SPLINE TEETH | L1 | BUSH DIA | APPLICATION |
|--------------|-----------|------|-----------------|--------------|-----|----------|-------------|
| 970061011287 | 86 79449 | 2760 | 6 | 10 | 165 | Φ14 | |
| 970011031207 | 86 79258 | 2760 | 1 | 10 | 165 | Φ14 | Kanaz |
| 970032630357 | 86 79510 | 2760 | 3 | 26 | 175 | Φ14 | Tatra |
| 970012733507 | 86 79465 | 2760 | 1 | 27 | 160 | Φ14 | |
| | 86 79683 | | | | | | |
| 970012830107 | 86 72741 | 2760 | 1 | 28 | 160 | Φ14 | Renault |
| | 86 79289 | | | | | | |
| 970012833507 | 86 72997 | 2760 | 1 | 28 | 160 | Φ14 | Renault |
| | 86 79304 | | | | | | |
| 970012713517 | 86 79000 | 2760 | 1 | 27 | 175 | Φ14 | Renault |
| | 86 79306 | | | | | | |
| | | | | | | | |
| | | | | | | | |
| | | | | | | | |
| | | | | | | | |
| | | | | | | | |
| | | | | | | | |
| | | | | | | | |
| | | | | | | | |
| | | | | | | | |
| | | | | | | | |



| RUILI NO. | CROSS REF | CAST | CONTROL ARM NO. | SPLINE TEETH | BUSH DIA | APPLICATION |
|--------------|-----------|------|-----------------|--------------|----------|-------------|
| 178022631527 | 86 72178 | 4049 | 2 | 26 | Φ14 | D-C |
| | | | | | | |
| | | | | | | |
| | | | | | | |
| | | | | | | |

WE USE THE NAME, THE PICTURE AND THE REFERENCE NUMBER IN THIS CATALOGUE FOR REFERENCE PURPOSES ONLY.